

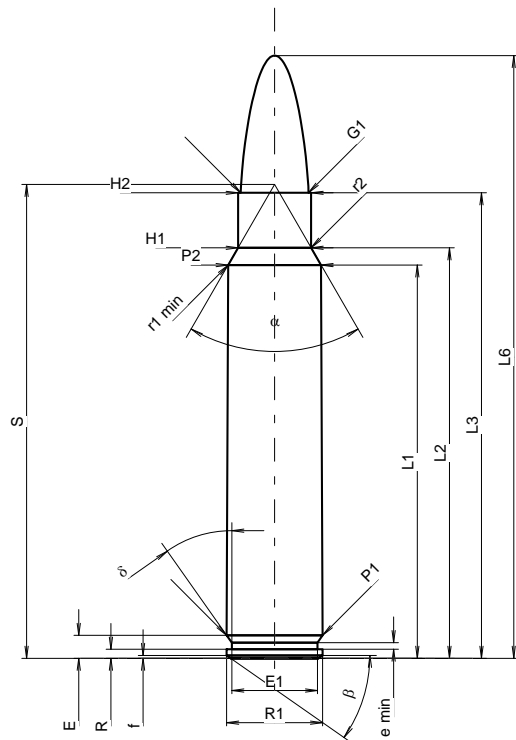
C.I.P.**375 Ruger**

TAB. I

Datum 09-05-05

Ursprungsland: US

Revision

**PATRONE MAXI****Längen**

L1 ¹⁾	=	55.36	-0.20
L2 ¹⁾	=	57.78	-0.20
L3 ¹⁾	=	65.53	
L4	=		
L5	=		
L6	=	84.84	

Hülsenboden

R	=	1.27	
R1	=	13.51	
R3	=		
E	=	3.24	
E1	=	12.07	
e min	=	0.94	
delta	=	35°	
f	=	0.41	
beta	=	35°	

Pulverkammer

P1	=	13.52	
P2 ¹⁾ *	=	13.08	-0.20

Schulterkonus

alpha [*]	=	60°	
S [*]	=	66.70	
r1 min	=	0.76	
r2	=	3.18	

Hülsenhals

H1 [*]	=	10.29	
H2 ¹⁾	=	10.29	

Geschoss

G1 ¹⁾	=	9.55	
G2	=		
F	=		
L3+G ¹⁾	=	74.04	

Drücke (Energien)**Mech. elektr. Wandler**

Pmax	=	4275 bar	
PK	=	4916 bar	
PE	=	5344 bar	
M	=	25.00	
EE	=	6350 Joule	

Verschiedene Daten

Fe ¹⁾³⁾	=	0.10	
delta L	=	0.10	

PATRONENLAGER MINI**Längen**

L1	=	55.24	
L2	=	57.64	
L3 ¹⁾	=	65.79	

Stoßboden

R	=		
R1	=	13.58	
R2	=		
R3	=		
r	=		

Pulverkammer

E	=	3.24	
P1 ¹⁾	=	13.55	
P2 [*]	=	13.11	

Schulterkonus

alpha ¹⁾ *	=	60°	
S [*]	=	66.60	
r1 max	=	0.76	
r2	=	3.18	

Hülsenhals

H1 [*]	=	10.34	
H2 ¹⁾	=	10.31	

Geschossübergang

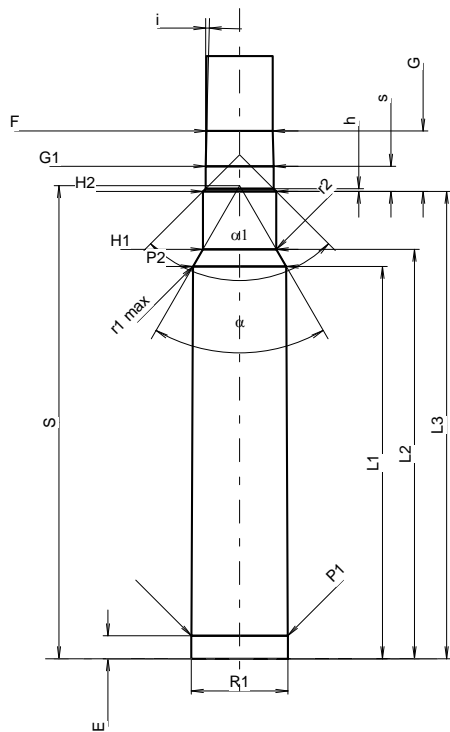
G1 ¹⁾ *	=	9.56	
G ¹⁾	=	8.51	
alpha l	=	90°	
h	=	0.38	
s [*]	=	3.55	
i ¹⁾ *	=	1°30'	
w	=		

Lauf

F ¹⁾ *	=	9.30	
Z ¹⁾	=	9.55	

Züge

b	=	2.92	
N	=	6	
u	=	305.00	
Q	=	70.16	mm ²



Maßstab 1:1.06

Maße in << mm >>
Maße und Toleranzen für Messläufe
siehe Anhang CR 1.

Bemerkungen: 1) Kontrolle aus Sicherheitsgründen
3) Verschlussabstand an Schulter
* Grundmaße