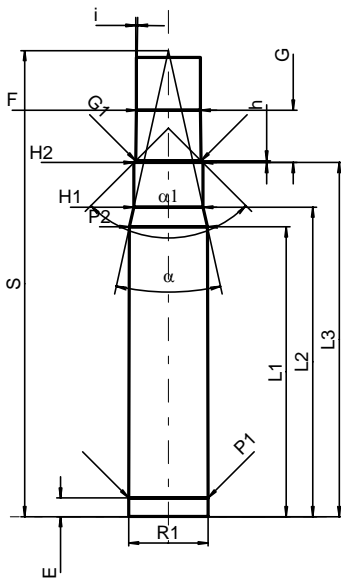
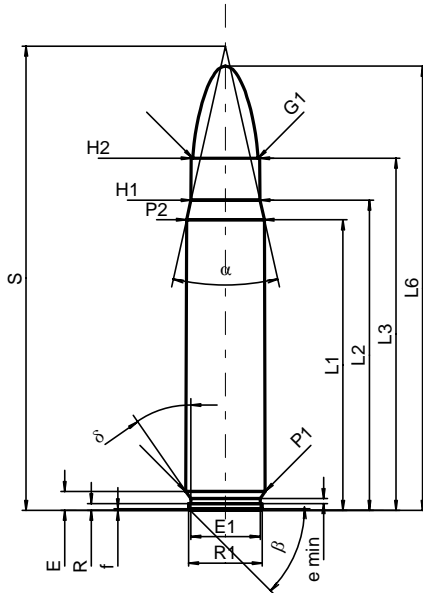


C.I.P.**500 Jeffery**

Ursprungsland: GB

TAB.	I
Datum	99-01-12
Revision	02-05-15



Maßstab 1:1.5

Maße in << mm >>
Maße und Toleranzen für Messläufe
siehe Anhang CR 1.

PATRONE MAXI**Längen**

L1 ¹⁾ *	=	57.61	-0.20
L2 ¹⁾ *	=	61.52	-0.20
L3 ¹⁾	=	69.85	
L4	=		
L5	=		
L6	=	88.09	

Hülsenboden

R	=	1.32	
R1	=	14.61	
R3	=		
E	=	3.73	
E1	=	13.77	
e min	=	1.00	
delta	=	34°39'36"	
f	=	0.30	
beta	=	45°	

Pulverkammer

P1	=	15.72	
P2 ¹⁾ *	=	15.42	-0.20

Schulterkonus

alpha	=	25°13'42"	
S	=	92.06	
r1 min	=		
r2	=		

Hülsenhals

H1 *	=	13.67	
H2 ¹⁾	=	13.61	

Geschoss

G1 ¹⁾	=	12.95	
G2	=		
F	=		
L3+G ¹⁾	=	80.26	

Drücke (Energien)**Mech. elektr. Wandler**

Pmax	=	3300 bar	
PK	=	3795 bar	
PE	=	4125 bar	
M	=	25.00	
EE	=	9660 Joule	

Verschiedene Daten

Fe ¹⁾	=	0.15	
delta L	=		

PATRONENLAGER MINI**Längen**

L1 *	=	57.48	
L2 *	=	61.39	
L3 ¹⁾	=	70.23	

Stoßboden

R	=	1.32	
R1	=	15.77	
R2	=		
R3	=		
r	=		

Pulverkammer

E	=	3.73	
P1 ¹⁾	=	15.77	
P2 *	=	15.47	

Schulterkonus

alpha ¹⁾	=	24°56'56"	
S	=	92.44	
r1 max	=		
r2	=		

Hülsenhals

H1 *	=	13.74	
H2 ¹⁾	=	13.69	

Geschossübergang

G1 ¹⁾ *	=	12.98	
G ¹⁾ *	=	10.41	
alpha1	=	90°	
h *	=	0.36	
s	=		
i ¹⁾	=	0°47'53"	
w	=		

Lauf

F ¹⁾ *	=	12.70	
Z ¹⁾	=	12.97	

Züge

b	=	4.45	
N	=	6	
u	=	508.00	
Q	=	130.36	mm ²

Bemerkungen: 1) Kontrolle aus Sicherheitsgründen
* Grundmaße