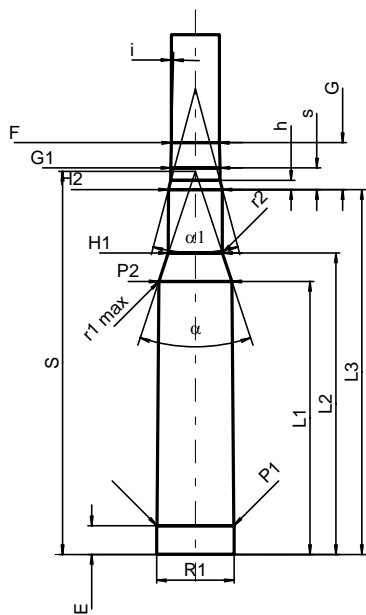
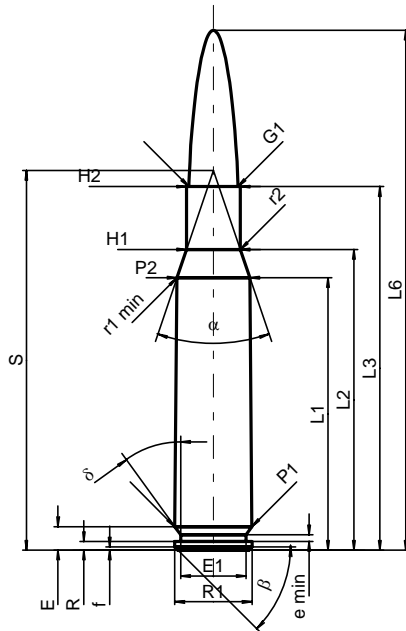


C.I.P.**510 DTC**

Ursprungsland: GB

TAB.	I
Datum	04-05-18
Revision	04-09-27



Maßstab 1:2

Maße in << mm >>
Maße und Toleranzen für Messläufe
siehe Anhang CR 1.

PATRONE MAXI**Längen**

L1 ^{1)*}	=	72.04	-0.20
L2 ^{1)*}	=	79.48	-0.20
L3 ¹⁾	=	96.14	
L4	=		
L5	=		
L6	=	137.47	

Hülsenboden

R	=	2.26
R1	=	20.42
R3	=	
E	=	6.20
E1	=	17.27
e min	=	1.80
delta	=	36°
f	=	0.84
beta	=	45°

Pulverkammer

P1	=	20.38	
P2 ^{1)*}	=	19.28	-0.20

Schulterkonus

alpha	=	37°33'42"
S	=	100.39
r1 min	=	3.18
r2	=	5.08

Hülsenhals

H1*	=	14.22
H2 ¹⁾	=	14.22

Geschoss

G1 ¹⁾	=	12.98
G2	=	
F	=	
L3+G ¹⁾	=	108.53

Drücke (Energien)**Mech. elektr. Wandler**

Pmax	=	3600 bar
PK	=	4140 bar
PE	=	4500 bar
M	=	25.00
EE	=	14870 Joule

Verschiedene Daten

Fe	=	0.15
delta L	=	

PATRONELAGER MINI**Längen**

L1*	=	72.21
L2*	=	79.73
L3 ¹⁾	=	96.52

Stoßboden

R	=	2.26
R1	=	20.52
R2	=	
R3	=	
r	=	

Pulverkammer

E	=	7.62
P1 ¹⁾	=	20.37
P2*	=	19.31

Schulterkonus

alpha ¹⁾	=	36°38'28"
S	=	101.37
r1 max	=	3.18
r2	=	6.35

Hülsenhals

H1*	=	14.33
H2 ¹⁾	=	14.28

Geschossübergang

G1 ^{1)*}	=	12.99
G ^{1)*}	=	12.39
alpha1	=	29°57'59"
h	=	2.41
s*	=	5.72
i ¹⁾	=	1°25'01"
w	=	

Lauf

F ^{1)*}	=	12.66
Z ¹⁾	=	12.93

Züge

b	=	3.43
N	=	8
u	=	381.00
Q	=	129.63 mm ²

Bemerkungen: 1) Kontrolle aus Sicherheitsgründen
* Grundmaße