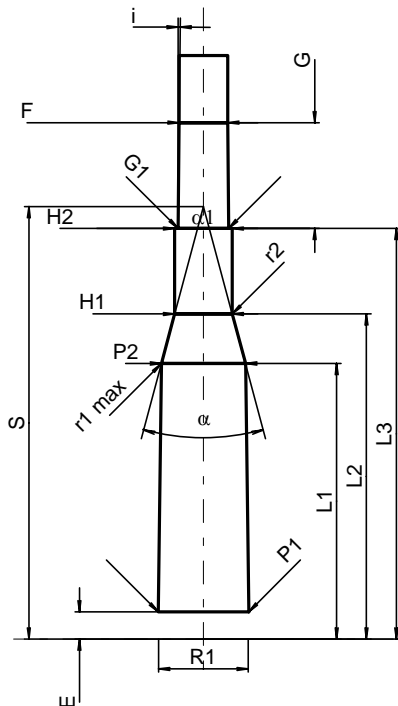
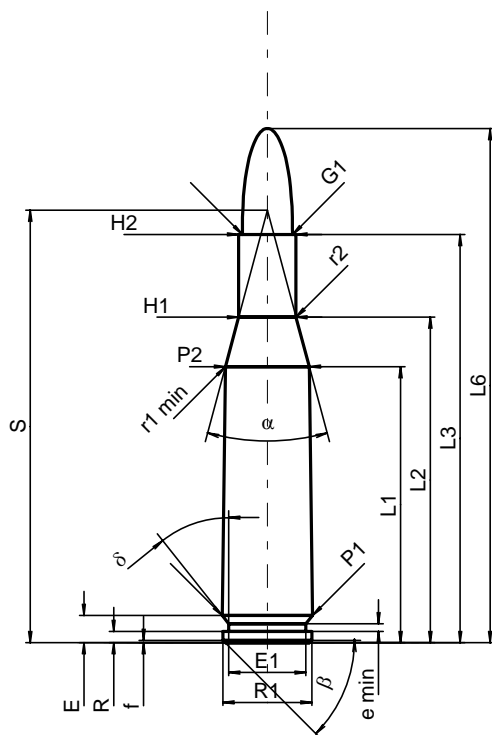


**C.I.P.****6,5 x 54 Mauser**

Ursprungsland: DE

|                 |                 |
|-----------------|-----------------|
| <b>TAB.</b>     | <b>I</b>        |
| <b>Datum</b>    | <b>84-06-14</b> |
| <b>Revision</b> | <b>02-05-15</b> |



Maßstab 1:1

Maße in << mm >>  
Maße und Toleranzen für Messläufe  
siehe Anhang CR 1.

**PATRONE MAXI****Längen**

|                   |   |       |       |
|-------------------|---|-------|-------|
| L1 <sup>1)*</sup> | = | 36.50 | -0.20 |
| L2 <sup>1)*</sup> | = | 43.05 | -0.20 |
| L3 <sup>1)</sup>  | = | 54.00 |       |
| L4                | = |       |       |
| L5                | = |       |       |
| L6                | = | 68.00 |       |

**Hülsenboden**

|       |   |        |
|-------|---|--------|
| R     | = | 1.50   |
| R1    | = | 11.80  |
| R3    | = |        |
| E     | = | 3.60   |
| E1    | = | 10.20  |
| e min | = | 1.00   |
| delta | = | 38°30' |
| f     | = | 0.30   |
| beta  | = | 45°    |

**Pulverkammer**

|                   |   |       |       |
|-------------------|---|-------|-------|
| P1                | = | 11.95 |       |
| P2 <sup>1)*</sup> | = | 11.10 | -0.20 |

**Schulterkonus**

|        |   |           |
|--------|---|-----------|
| alpha  | = | 29°59'56" |
| S      | = | 57.21     |
| r1 min | = | 0.50      |
| r2     | = | 0.50      |

**Hülsenhals**

|                  |   |      |
|------------------|---|------|
| H1 <sup>*</sup>  | = | 7.59 |
| H2 <sup>1)</sup> | = | 7.59 |

**Geschoss**

|                    |   |       |
|--------------------|---|-------|
| G1 <sup>1)*</sup>  | = | 6.64  |
| G2                 | = |       |
| F                  | = |       |
| L3+G <sup>1)</sup> | = | 68.00 |

**Drücke (Energien)****Mech. elektr. Wandler**

|      |   |            |
|------|---|------------|
| Pmax | = | 3050 bar   |
| PK   | = | 3508 bar   |
| PE   | = | 3810 bar   |
| M    | = | 25.00      |
| EE   | = | 2380 Joule |

**Verschiedene Daten**

|                  |   |      |
|------------------|---|------|
| Fe <sup>1)</sup> | = | 0.15 |
| delta L          | = |      |

**PATRONEMLAGER MINI****Längen**

|                  |   |       |
|------------------|---|-------|
| L1 <sup>*</sup>  | = | 36.44 |
| L2 <sup>*</sup>  | = | 42.99 |
| L3 <sup>1)</sup> | = | 54.30 |

**Stoßboden**

|    |   |       |
|----|---|-------|
| R  | = | 1.50  |
| R1 | = | 11.85 |
| R2 | = |       |
| R3 | = |       |
| r  | = |       |

**Pulverkammer**

|                  |   |       |
|------------------|---|-------|
| E                | = | 3.60  |
| P1 <sup>1)</sup> | = | 11.98 |
| P2 <sup>*</sup>  | = | 11.13 |

**Schulterkonus**

|                     |   |           |
|---------------------|---|-----------|
| alpha <sup>1)</sup> | = | 29°59'56" |
| S                   | = | 57.21     |
| r1 max              | = | 0.50      |
| r2                  | = | 0.50      |

**Hülsenhals**

|                  |   |      |
|------------------|---|------|
| H1 <sup>*</sup>  | = | 7.62 |
| H2 <sup>1)</sup> | = | 7.61 |

**Geschossübergang**

|                   |   |          |
|-------------------|---|----------|
| G1 <sup>1)*</sup> | = | 6.68     |
| G <sup>1)*</sup>  | = | 14.00    |
| alpha1            | = | 180°     |
| h                 | = |          |
| s                 | = |          |
| i <sup>1)</sup>   | = | 0°34'22" |
| w                 | = |          |

**Lauf**

|                  |   |      |
|------------------|---|------|
| F <sup>1)*</sup> | = | 6.40 |
| Z <sup>1)</sup>  | = | 6.64 |

**Züge**

|   |   |                       |
|---|---|-----------------------|
| b | = | 3.50                  |
| N | = | 4                     |
| u | = | 200.00                |
| Q | = | 33.94 mm <sup>2</sup> |

Bemerkungen: 1) Kontrolle aus Sicherheitsgründen  
\* Grundmaße