

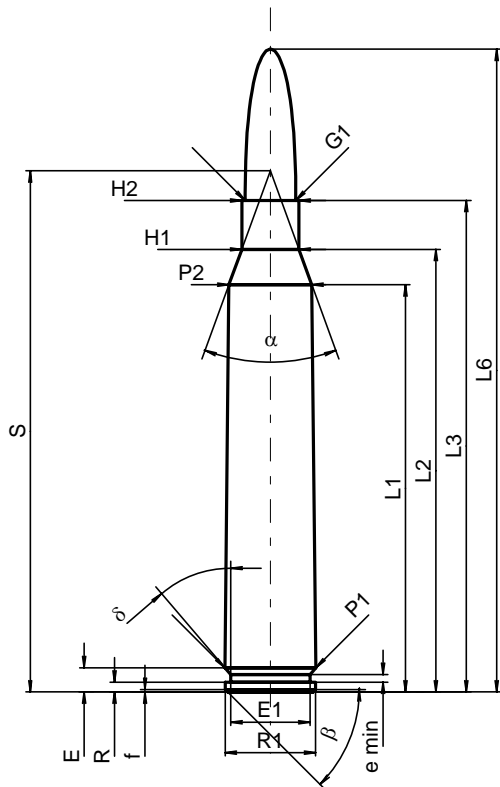
C.I.P.**6,5 x 65 RWS**

Ursprungsland: DE

TAB. I

Datum 90-04-05

Revision 02-05-15

**PATRONE MAXI****Längen**

L1 ^{1)*}	=	53.85	-0.20
L2 ^{1)*}	=	58.52	-0.20
L3 ¹⁾	=	65.00	
L4	=		
L5	=		
L6	=	85.00	

Hülsenboden

R	=	1.30	
R1	=	11.95	
R3	=		
E	=	3.20	
E1	=	10.50	
e min	=	1.00	
delta	=	40°33'	
f	=	0.30	
beta	=	45°	

Pulverkammer

P1	=	12.04	
P2 ^{1)*}	=	10.97	-0.20

Schulterkonus

alpha	=	40°00'02"	
S	=	68.92	
r1 min	=		
r2	=		

Hülsenhals

H1*	=	7.57	
H2 ¹⁾	=	7.57	

Geschoss

G1 ¹⁾	=	6.70	
G2	=		
F	=		
L3+G ¹⁾	=	74.96	

Drücke (Energien)**Mech. elektr. Wandler**

Pmax	=	4150 bar	
PK	=	4773 bar	
PE	=	5190 bar	
M	=	25.00	
EE	=	3955 Joule	

Verschiedene Daten

Fe ¹⁾	=	0.10	
delta L	=		

PATRONELAGER MINI**Längen**

L1*	=	53.81	
L2*	=	58.44	
L3 ¹⁾	=	65.30	

Stoßboden

R	=	1.30	
R1	=	12.07	
R2	=		
R3	=		
r	=		

Pulverkammer

E	=	3.20	
P1 ¹⁾	=	12.07	
P2*	=	11.00	

Schulterkonus

alpha ¹⁾	=	39°59'46"	
S	=	68.92	
r1 max	=		
r2	=		

Hülsenhals

H1*	=	7.63	
H2 ¹⁾	=	7.60	

Geschossübergang

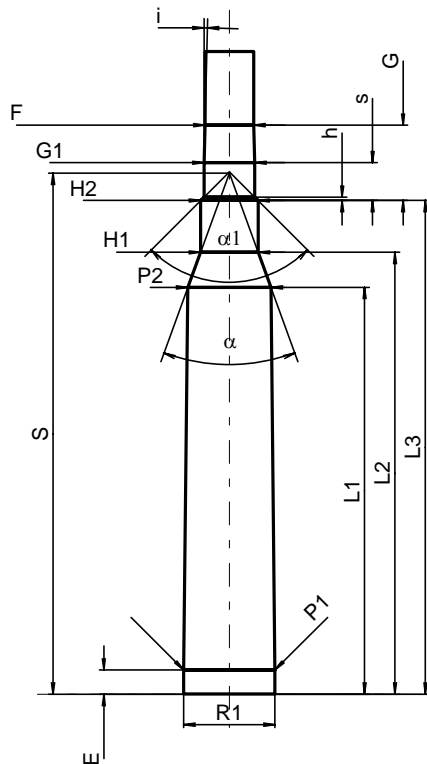
G1 ^{1)*}	=	6.71	
G ^{1)*}	=	9.96	
alpha1	=	90°	
h	=	0.44	
s*	=	5.00	
i ¹⁾	=	1°30'	
w	=		

Lauf

F ^{1)*}	=	6.45	
Z ¹⁾	=	6.70	

Züge

b	=	3.50	
N	=	4	
u	=	200.00	
Q	=	34.52	mm ²



Maßstab 1:1

Maße in << mm >>
Maße und Toleranzen für Messläufe
siehe Anhang CR 1.

Bemerkungen: 1) Kontrolle aus Sicherheitsgründen
* Grundmaße