

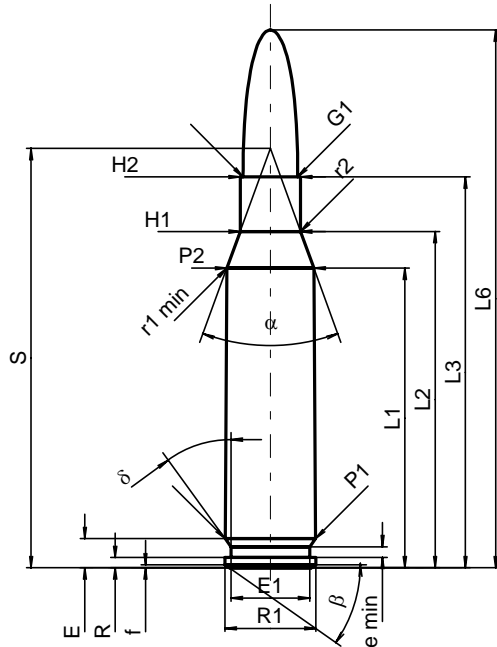
C.I.P.**7 mm - 08 Rem.**

TAB. I

Datum 84-06-14

Revision 02-05-15

Ursprungsland: US

**PATRONE MAXI****Längen**

L1 ¹⁾	=	39.62	-0.20
L2 ¹⁾	=	44.47	-0.20
L3 ¹⁾	=	51.69	
L4	=		
L5	=		
L6	=	71.12	

Hülsenboden

R	=	1.37	
R1	=	12.01	
R3	=		
E	=	3.85	
E1	=	10.39	
e min	=	1.40	
delta	=	36°	
f	=	0.38	
beta	=	35°	

Pulverkammer

P1	=	11.96	
P2 ^{1)*}	=	11.53	-0.20

Schulterkonus

alpha*	=	40°	
S*	=	55.46	
r1 min	=	0.76	
r2	=	3.18	

Hülsenhals

H1*	=	8.00	
H2 ¹⁾	=	8.00	

Geschoss

G1 ¹⁾	=	7.23	
G2	=		
F	=		
L3+G ¹⁾	=	56.93	

Drücke (Energien)**Mech. elektr. Wandler**

Pmax	=	4150 bar	
PK	=	4773 bar	
PE	=	5190 bar	
M	=	25.00	
EE	=	3720 Joule	

Verschiedene Daten

Fe ¹⁾	=	0.10	
delta L	=	0.10	

PATRONENLAGER MINI**Längen**

L1	=	39.48	
L2	=	44.30	
L3 ¹⁾	=	51.94	

Stoßboden

R	=		
R1	=	12.03	
R2	=		
R3	=		
r	=		

Pulverkammer

E	=	3.85	
P1 ¹⁾	=	11.99	
P2*	=	11.56	

Schulterkonus

alpha ^{1)*}	=	40°	
S*	=	55.36	
r1 max	=	0.76	
r2	=	3.81	

Hülsenhals

H1*	=	8.05	
H2 ¹⁾	=	8.03	

Geschossübergang

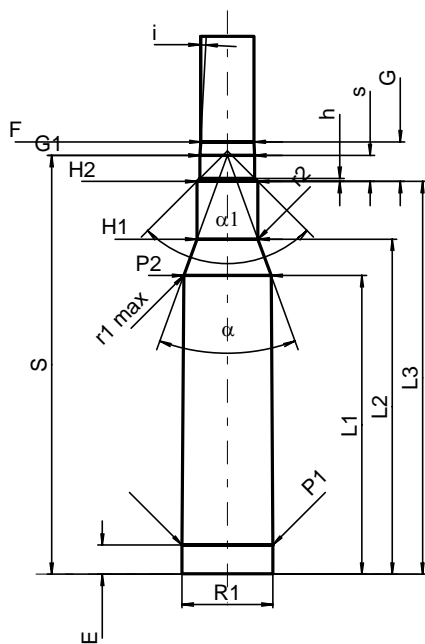
G1 ^{1)*}	=	7.23	
G ¹⁾	=	5.24	
alpha1*	=	90°	
h	=	0.40	
s	=	3.43	
i ^{1)*}	=	3°	
w	=		

Lauf

F ^{1)*}	=	7.04	
Z ¹⁾	=	7.21	

Züge

b	=	2.79	
N	=	6	
u	=	241.00	
Q	=	40.39	mm ²



Maßstab 1:1

Maße in << mm >>
Maße und Toleranzen für Messläufe
siehe Anhang CR 1.

Bemerkungen: 1) Kontrolle aus Sicherheitsgründen
* Grundmaße