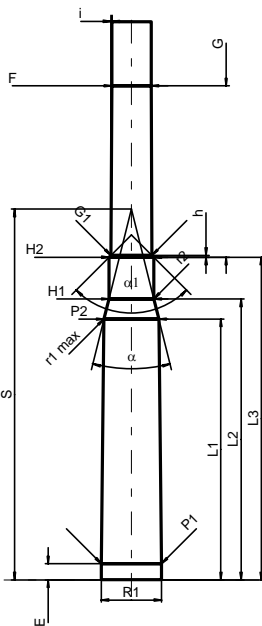
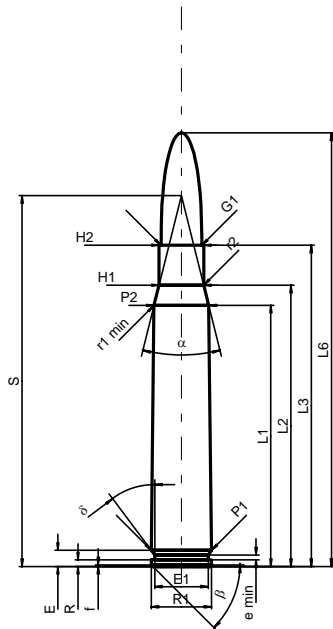


C.I.P.

8 x 64

Ursprungsland: DE

TAB.	I
Datum	84-06-14
Revision	02-05-15



Maßstab 1:1.5

Maße in << mm >>
Maße und Toleranzen für Messläufe
siehe Anhang CR 1.

PATRONE MAXI

Längen

L1 ^{1)*}	=	51.80	-0.20
L2 ^{1)*}	=	55.79	-0.20
L3 ¹⁾	=	63.70	
L4	=		
L5	=		
L6	=	86.00	

Hülsenboden

R	=	1.30
R1	=	12.00
R3	=	
E	=	3.20
E1	=	10.60
e min	=	1.00
δ	=	36°52'12"
f	=	0.30
β	=	45°

Pulverkammer

P1	=	11.95	
P2 ^{1)*}	=	10.85	-0.20

Schulterkonus

α	=	28°00'18"
S	=	73.55
r1 min	=	0.50
r2	=	0.50

Hülsenhals

H1 [*]	=	8.86
H2 ¹⁾	=	8.86

Geschoss

G1 ¹⁾	=	8.09
G2	=	
F	=	
L3+G ¹⁾	=	97.70

Drücke (Energien)

Mech. elektr. Wandler

Pmax	=	4050 bar
PK	=	4658 bar
PE	=	5060 bar
M	=	25.00
EE	=	4375 Joule

Verschiedene Daten

Fe ¹⁾	=	0.10
delta L	=	

PATRONENLAGER MINI

Längen

L1 [*]	=	51.74
L2 [*]	=	55.73
L3 ¹⁾	=	64.00

Stoßboden

R	=	1.30
R1	=	12.00
R2	=	
R3	=	
r	=	

Pulverkammer

E	=	3.20
P1 ¹⁾	=	11.96
P2 [*]	=	10.88

Schulterkonus

α ¹⁾	=	28°00'18"
S	=	73.55
r1 max	=	0.50
r2	=	0.50

Hülsenhals

H1 [*]	=	8.89
H2 ¹⁾	=	8.88

Geschossübergang

G1 ^{1)*}	=	8.14
G ^{1)*}	=	34.00
α1	=	90°
h [*]	=	0.37
s	=	
i ¹⁾	=	0°17'22"
w	=	

Lauf

F ^{1)*}	=	7.80
Z ¹⁾	=	8.07

Züge

b	=	4.40
N	=	4
u	=	240.00
Q	=	50.30 mm ²

Bemerkungen: 1) Kontrolle aus Sicherheitsgründen
* Grundmaße