

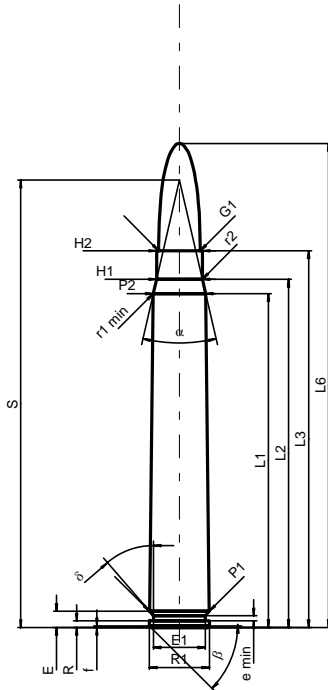
C.I.P.**8 x 75 S**

TAB. I

Datum 84-06-14

Revision 02-05-15

Ursprungsland: DE

**PATRONE MAXI****Längen**

L1 ^{1)*}	=	66.20	-0.20
L2 ^{1)*}	=	69.06	-0.20
L3 ¹⁾	=	74.70	
L4	=		
L5	=		
L6	=	96.00	

Hülsenboden

R	=	1.30	
R1	=	11.90	
R3	=		
E	=	3.20	
E1	=	10.30	
e min	=	1.00	
δ	=	40°54'	
f	=	0.30	
β	=	45°	

Pulverkammer

P1	=	11.86	
P2 ^{1)*}	=	10.40	-0.20

Schulterkonus

α	=	25°59'21"	
S	=	88.73	
r1 min	=	0.50	
r2	=	0.50	

Hülsenhals

H1 [*]	=	9.08	
H2 ¹⁾	=	9.08	

Geschoss

G1 ¹⁾	=	8.22	
G2	=		
F	=		
L3+G ¹⁾	=	108.70	

Drücke (Energien)**Mech. elektr. Wandler**

Pmax	=	4400 bar	
PK	=	5060 bar	
PE	=	5500 bar	
M	=	25.00	
EE	=	4750 Joule	

Verschiedene Daten

Fe ¹⁾	=	0.10	
delta L	=		

PATRONELAGER MINI**Längen**

L1 [*]	=	66.13	
L2 [*]	=	68.99	
L3 ¹⁾	=	75.00	

Stoßboden

R	=	1.30	
R1	=	11.95	
R2	=		
R3	=		
r	=		

Pulverkammer

E	=	3.20	
P1 ¹⁾	=	11.89	
P2 [*]	=	10.43	

Schulterkonus

α ¹⁾	=	25°59'21"	
S	=	88.73	
r1 max	=	0.50	
r2	=	0.50	

Hülsenhals

H1 [*]	=	9.11	
H2 ¹⁾	=	9.10	

Geschossübergang

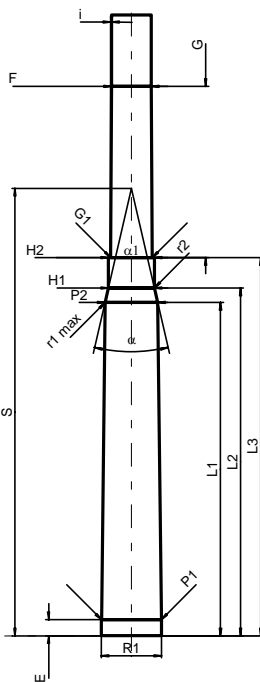
G1 ^{1)*}	=	8.23	
G ^{1)*}	=	34.00	
α1	=	180°	
h	=		
s	=		
i ¹⁾	=	0°17'11"	
w	=		

Lauf

F ^{1)*}	=	7.89	
Z ¹⁾	=	8.20	

Züge

b	=	4.40	
N	=	4	
u	=	240.00	
Q	=	51.78	mm ²



Maßstab 1:1.5

Maße in << mm >>
Maße und Toleranzen für Messläufe
siehe Anhang CR 1.

Bemerkungen: 1) Kontrolle aus Sicherheitsgründen
* Grundmaße