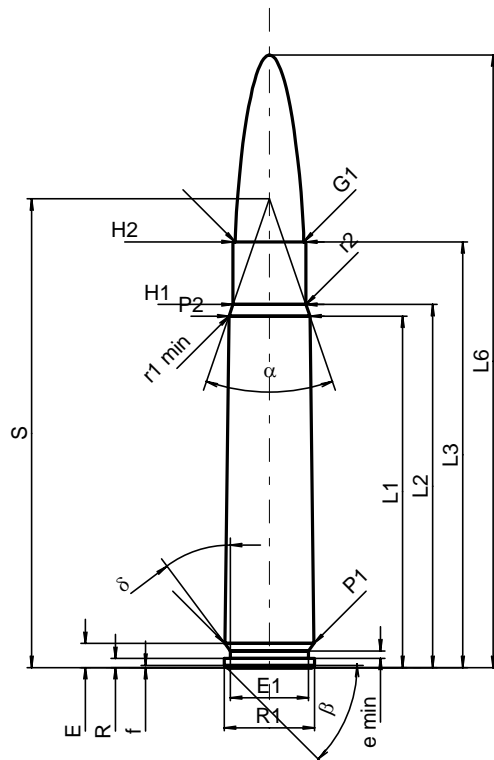


C.I.P.**9 x 56 Mannl. Sch.**

TAB.	I
Datum	95-06-28
Revision	05-07-01

Ursprungsland: AT

**PATRONE MAXI****Längen**

L1 ^{1)*}	=	46.48	-0.20
L2 ^{1)*}	=	48.00	-0.20
L3 ¹⁾	=	56.30	
L4	=		
L5	=		
L6	=	81.00	

Hülsenboden

R	=	1.20
R1	=	11.90
R3	=	
E	=	3.20
E1	=	10.30
e min	=	1.00
δ	=	36°52'12"
f	=	0.30
β	=	45°

Pulverkammer

P1	=	11.80	
P2 ^{1)*}	=	10.70	-0.20

Schulterkonus

α	=	38°06'33"
S	=	61.97
r1 min	=	0.50
r2	=	0.50

Hülsenhals

H1 [*]	=	9.65
H2 ¹⁾	=	9.65

Geschoss

G1 ¹⁾	=	9.08
G2	=	
F	=	
L3+G ¹⁾	=	71.50

Drücke (Energien)**Mech. elektr. Wandler**

Pmax	=	2080 bar
PK	=	2392 bar
PE	=	2600 bar
M	=	25.00
EE	=	2815 Joule

Verschiedene Daten

Fe ¹⁾	=	0.15
delta L	=	

PATRONENLAGER MINI**Längen**

L1 [*]	=	46.41
L2 [*]	=	47.93
L3 ¹⁾	=	56.80

Stoßboden

R	=	1.20
R1	=	11.95
R2	=	
R3	=	
r	=	

Pulverkammer

E	=	3.20
P1 ¹⁾	=	11.85
P2 [*]	=	10.75

Schulterkonus

α ¹⁾	=	38°06'33"
S	=	61.97
r1 max	=	0.50
r2	=	0.50

Hülsenhals

H1 [*]	=	9.70
H2 ¹⁾	=	9.68

Geschossübergang

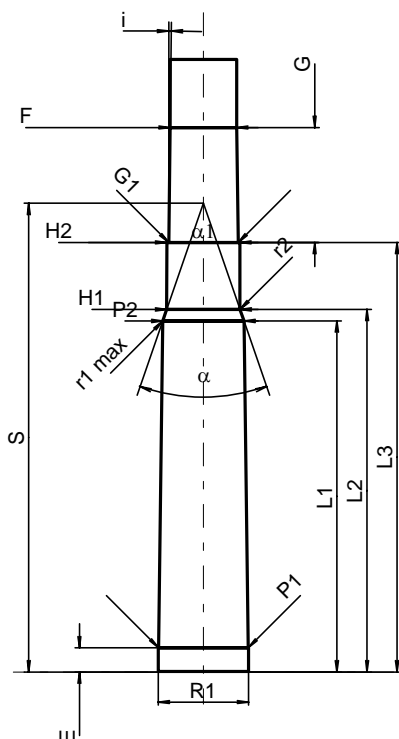
G1 ^{1)*}	=	9.18
G ^{1)*}	=	15.20
α1	=	180°
h	=	
s	=	
i ¹⁾	=	0°42'58"
w	=	

Lauf

F ^{1)*}	=	8.80
Z ¹⁾	=	9.15

Züge

b	=	4.40
N	=	4
u	=	280.00
Q	=	64.04 mm ²



Maßstab 1:1

Maße in << mm >>
Maße und Toleranzen für Messläufe
siehe Anhang CR 1.

Bemerkungen: 1) Kontrolle aus Sicherheitsgründen
* Grundmaße