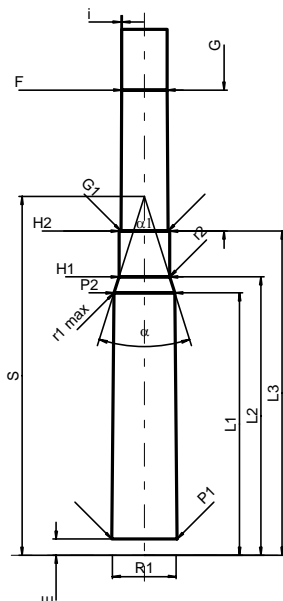
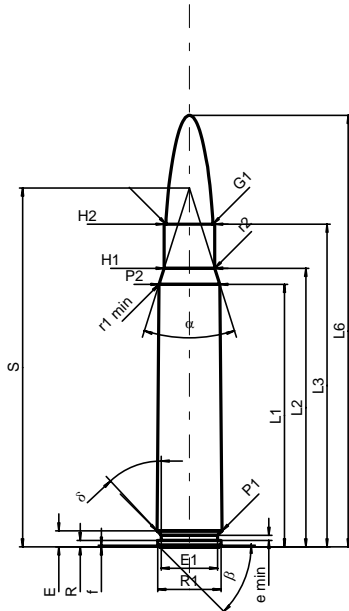


C.I.P.**9,3 x 64 Brenneke**

Ursprungsland: DE

TAB.	I
Datum	84-06-14
Revision	02-05-15



Maßstab 1:1.5

Maße in << mm >>
Maße und Toleranzen für Messläufe
siehe Anhang CR 1.

PATRONE MAXI**Längen**

L1 ¹⁾ *	=	52.09	-0.20
L2 ¹⁾ *	=	55.28	-0.20
L3 ¹⁾	=	64.00	
L4	=		
L5	=	70.00	
L6	=	85.60	

Hülsenboden

R	=	1.30
R1	=	12.60
R3	=	
E	=	3.20
E1	=	11.20
e min	=	1.00
delta	=	43°
f	=	0.30
beta	=	45°

Pulverkammer

P1	=	12.88	
P2 ¹⁾ *	=	12.05	-0.20

Schulterkonus

alpha	=	34°58'26"
S	=	71.21
r1 min	=	0.50
r2	=	0.50

Hülsenhals

H1 *	=	10.04
H2 ¹⁾	=	10.04

Geschoss

G1 ¹⁾	=	9.30
G2	=	9.25
F	=	
L3+G ¹⁾	=	92.00

Drücke (Energien)**Mech. elektr. Wandler**

Pmax	=	4400 bar
PK	=	5060 bar
PE	=	5500 bar
M	=	25.00
EE	=	5335 Joule

Verschiedene Daten

Fe ¹⁾	=	0.10
delta L	=	

PATRONE NLAGER MINI**Längen**

L1 *	=	52.04
L2 *	=	55.23
L3 ¹⁾	=	64.30

Stoßboden

R	=	1.30
R1	=	12.65
R2	=	
R3	=	
r	=	

Pulverkammer

E	=	3.20
P1 ¹⁾	=	12.91
P2 *	=	12.08

Schulterkonus

alpha ¹⁾	=	34°58'26"
S	=	71.21
r1 max	=	0.50
r2	=	0.50

Hülsenhals

H1 *	=	10.07
H2 ¹⁾	=	10.06

Geschossübergang

G1 ¹⁾ *	=	9.35
G ¹⁾ *	=	28.00
alpha1	=	180°
h	=	
s	=	
i ¹⁾	=	0°21'29"
w	=	

Lauf

F ¹⁾ *	=	9.00
Z ¹⁾	=	9.28

Züge

b	=	4.60
N	=	4
u	=	360.00
Q	=	66.32 mm ²

Bemerkungen: 1) Kontrolle aus Sicherheitsgründen
* Grundmaße