

# C.I.P.

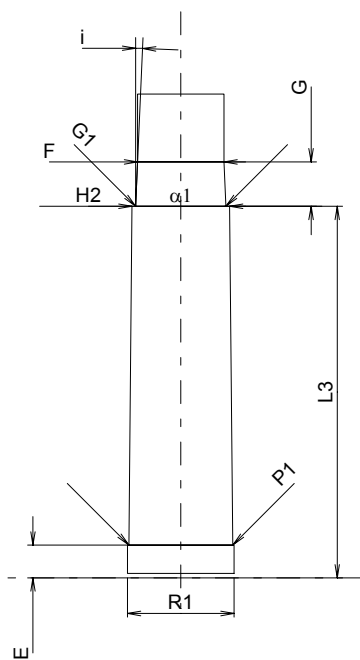
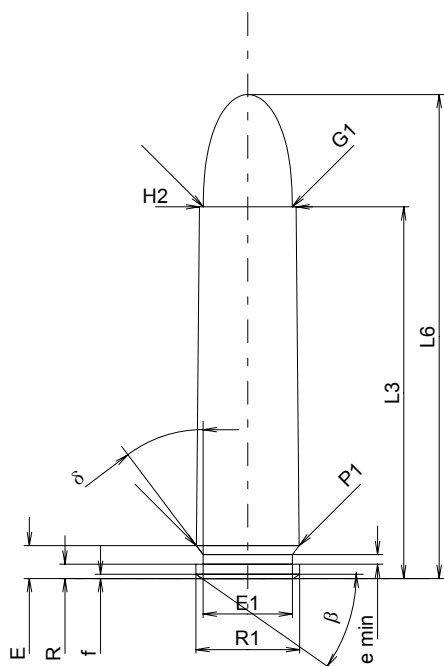
## 30 Carbine

Country of Origin: US

TAB. I

Date 84-06-14

Revision 02-05-15



Scale 1.5:1

Dimensions in << mm >>  
Dimensions and Tolerances for Proof Barrels  
see Appendix CR 1.

### CARTRIDGE MAXI

#### Lengths

L1	=		
L2	=		
L3 <sup>1)</sup>	=	32.77	-0.25
L4	=		
L5	=		
L6	=	42.67	

#### Case Head

R	=	1.27	
R1	=	9.14	
R3	=		
E	=	2.90	
E1	=	7.87	
e min	=	0.84	
delta	=	37°	
f	=	0.38	
beta	=	35°	

#### Powder Chamber

P1	=	9.06	
P2	=		

#### Junction Cone

alpha	=		
S	=		
r1 min	=		
r2	=		

#### Collar

H1	=		
H2 <sup>1)</sup>	=	8.53	

#### Projectile

G1 <sup>1)</sup>	=	7.85	
G2	=		
F	=		
L3+G <sup>1)</sup>	=	36.68	

#### Pressures (Energies)

##### Method Transducer

Pmax	=	3200 bar	
PK	=	3680 bar	
PE	=	4000 bar	
M	=	17.50	
EE	=	1375 Joule	

#### Miscellaneous Dimensions

Fe <sup>1)</sup>	=	0.15	
delta L	=		

### CHAMBER MINI

#### Lengths

L1	=		
L2	=		
L3 <sup>1)</sup>	=	32.77	

#### Breech

R	=	1.27	
R1	=	9.40	
R2	=		
R3	=		
r	=		

#### Powder Chamber

E	=	2.90	
P1 <sup>1)</sup>	=	9.15	
P2	=		

#### Junction Cone

alpha	=		
S	=		
r1 max	=		
r2	=		

#### Collar

H1	=		
H2 <sup>1)</sup>	=	8.60	

#### Commencement of Rifling

G1 <sup>1)*</sup>	=	7.96	
G <sup>1)</sup>	=	3.91	
alpha1	=	180°	
h	=		
s	=		
i <sup>1)*</sup>	=	2°29'26"	
w	=		

#### Barrel

F <sup>1)*</sup>	=	7.62	
Z <sup>1)</sup>	=	7.82	

#### Grooves

b	=	4.24	
N	=	4	
u	=	508.00	
Q	=	47.40	mm <sup>2</sup>

Notes: 1) Check for safety reasons  
\* Basic dimensions