

C.I.P.

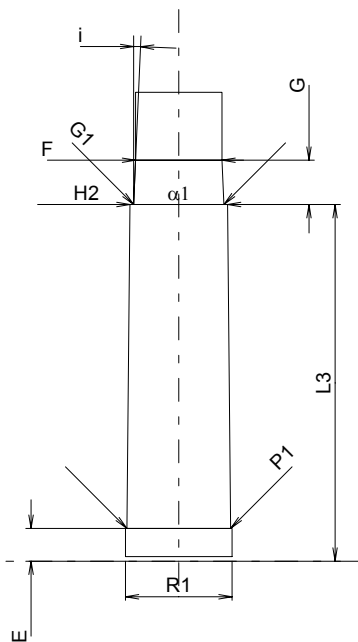
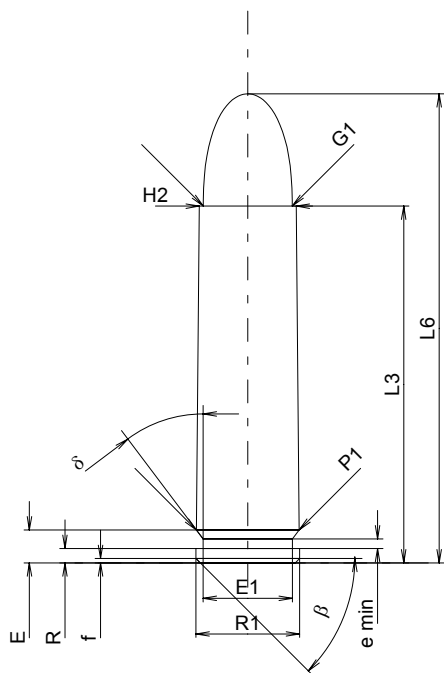
30 Court

Country of Origin: DE

TAB. I

Date 91-05-17

Revision 02-05-15



Scale 1.5:1

Dimensions in << mm >>
Dimensions and Tolerances for Proof Barrels
see Appendix CR 1.

CARTRIDGE MAXI

Lengths

L1	=		
L2	=		
L3 ¹⁾	=	31.45	-0.25
L4	=		
L5	=		
L6	=	41.35	

Case Head

R	=	1.27	
R1	=	9.14	
R3	=		
E	=	2.90	
E1	=	7.87	
e min	=	0.84	
δ	=	37°	
f	=	0.38	
β	=	45°	

Powder Chamber

P1	=	9.06	
P2	=		

Junction Cone

α	=		
S	=		
r1 min	=		
r2	=		

Collar

H1	=		
H2 ¹⁾	=	8.55	

Projectile

G1 ¹⁾	=	7.85	
G2	=		
F	=		
L3+G ¹⁾	=	35.36	

Pressures (Energies)

Method Transducer

Pmax	=	3650 bar	
PK	=	4198 bar	
PE	=	4560 bar	
M	=	17.50	
EE	=	1470 Joule	

Miscellaneous Dimensions

Fe ¹⁾	=	0.15	
delta L	=		

CHAMBER MINI

Lengths

L1	=		
L2	=		
L3 ¹⁾	=	31.45	

Breech

R	=	1.27	
R1	=	9.40	
R2	=		
R3	=		
r	=		

Powder Chamber

E	=	2.90	
P1 ¹⁾	=	9.13	
P2	=		

Junction Cone

α	=		
S	=		
r1 max	=		
r2	=		

Collar

H1	=		
H2 ¹⁾	=	8.60	

Commencement of Rifling

G1 ^{1)*}	=	7.96	
G ^{1)*}	=	3.91	
α1	=	180°	
h	=		
s	=		
i ¹⁾	=	2°29'21"	
w	=		

Barrel

F ^{1)*}	=	7.62	
Z ¹⁾	=	7.82	

Grooves

b	=	4.24	
N	=	4	
u	=	508.00	
Q	=	47.40	mm ²

Notes: 1) Check for safety reasons
* Basic dimensions