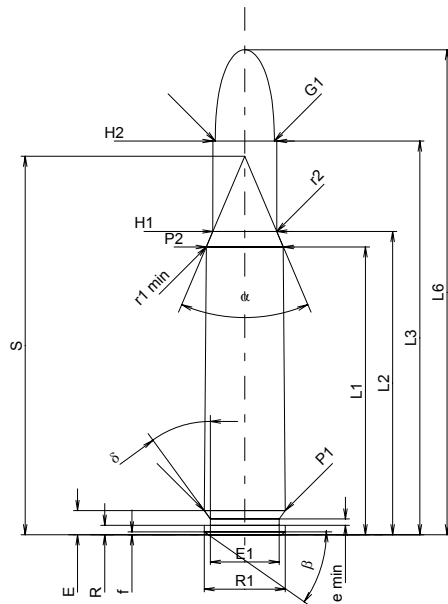


C.I.P.**30 Rem.****TAB.****I****Date****84-06-14****Revision****02-05-15**

Country of Origin: US

**CARTRIDGE MAXI****Lengths**

L1 ¹⁾	=	38.05	-0.20
L2 ¹⁾	=	40.10	-0.20
L3 ¹⁾	=	52.07	
L4	=		
L5	=		
L6	=	64.14	

Case Head

R	=	1.24	
R1	=	10.72	
R3	=		
E	=	3.19	
E1	=	9.09	
e min	=	0.84	
delta	=	36°	
f	=	0.38	
beta	=	35°	

Powder Chamber

P1	=	10.71	
P2 ¹⁾ *	=	10.19	-0.20

Junction Cone

alpha*	=	46°	
S*	=	50.05	
r1 min	=	0.64	
r2	=	2.54	

Collar

H1*	=	8.45	
H2 ¹⁾	=	8.43	

Projectile

G1 ¹⁾	=	7.80	
G2	=		
F	=		
L3+G ¹⁾	=	55.29	

Pressures (Energies)**Method Transducer**

Pmax	=	2800 bar	
PK	=	3220 bar	
PE	=	3500 bar	
M	=	25.00	
EE	=	2745 Joule	

Miscellaneous Dimensions

Fe ¹⁾	=	0.15	
delta L	=		

CHAMBER MINI**Lengths**

L1	=	38.01	
L2	=	40.07	
L3 ¹⁾	=	52.20	

Breech

R	=		
R1	=	10.80	
R2	=		
R3	=		
r	=		

Powder Chamber

E	=	3.19	
P1 ¹⁾	=	10.75	
P2*	=	10.22	

Junction Cone

alpha ¹⁾ *	=	46°	
S*	=	50.05	
r1 max	=	0.64	
r2	=	2.54	

Collar

H1*	=	8.47	
H2 ¹⁾	=	8.44	

Commencement of Rifling

G1 ¹⁾ *	=	7.80	
G ¹⁾	=	3.22	
alpha1*	=	60°	
h	=	0.55	
s	=		
i ¹⁾ *	=	1°55'59"	
w	=		

Barrel

F ¹⁾ *	=	7.62	
Z ¹⁾	=	7.77	

Grooves

b	=	2.67	
N	=	7	
u	=	305.00	
Q	=	47.04	mm ²

Scale 1:1

Dimensions in << mm >>
Dimensions and Tolerances for Proof Barrels
see Appendix CR 1.

Notes: 1) Check for safety reasons
* Basic dimensions