

C.I.P.

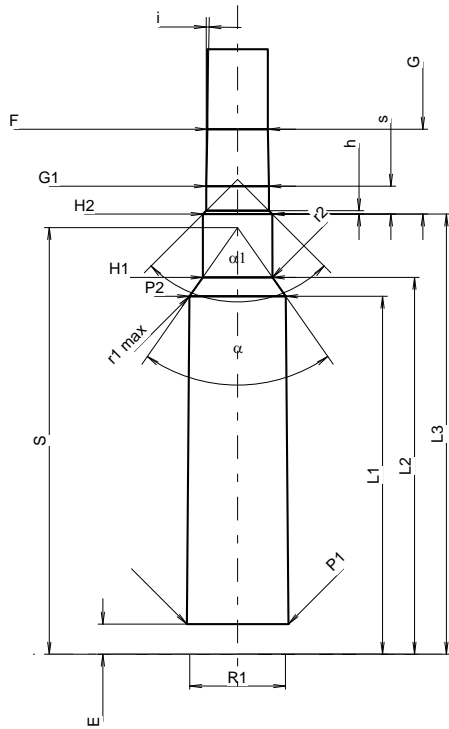
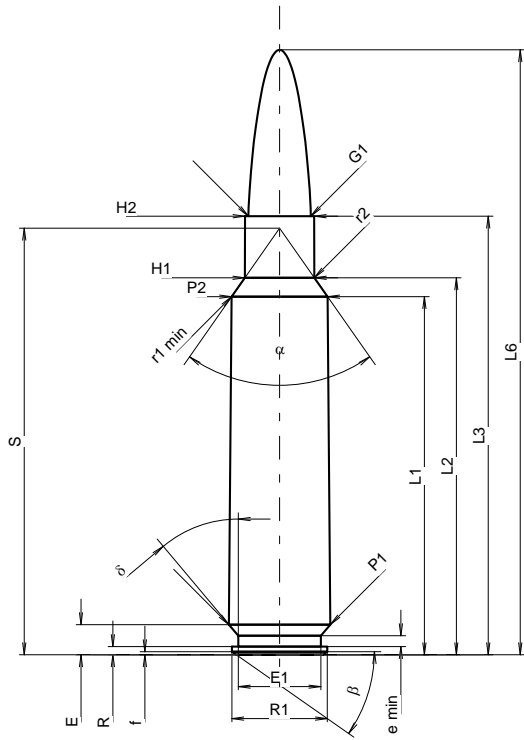
30-284 NOLASCO

Country of Origin: FR

TAB. I

Date 07-05-14

Revision 09-05-05



Scale 1.05:1

Dimensions in << mm >>
Dimensions and Tolerances for Proof Barrels
see Appendix CR 1.

CARTRIDGE MAXI

Lengths

L1 ¹⁾ *	=	44.98	-0.20
L2 ¹⁾ *	=	47.36	-0.20
L3 ¹⁾	=	55.10	
L4	=		
L5	=		
L6	=	76.00	

Case Head

R	=	1.02	
R1	=	12.01	
R3	=		
E	=	3.78	
E1	=	10.39	
e min	=	1.37	
delta	=	40°	
f	=	0.38	
beta	=	35°	

Powder Chamber

P1	=	12.72	
P2 ¹⁾ *	=	12.06	-0.20

Junction Cone

alpha	=	70°	
S	=	53.59	
r1 min	=	0.80	
r2	=	3.20	

Collar

H1 *	=	8.72	
H2 ¹⁾	=	8.67	

Projectile

G1 ¹⁾	=	7.85	
G2	=		
F	=		
L3+G ¹⁾	=	65.76	

**Pressures (Energies)
Method Transducer**

Pmax	=	3800 bar	
PK	=	4370 bar	
PE	=	4750 bar	
M	=	25.00	
EE	=	2750 Joule	

Miscellaneous Dimensions

Fe ¹⁾³⁾	=	0.15	
delta L	=		

CHAMBER MINI

Lengths

L1 *	=	44.96	
L2 *	=	47.34	
L3 ¹⁾	=	55.30	

Breech

R	=		
R1	=	12.04	
R2	=		
R3	=		
r	=		

Powder Chamber

E	=	3.78	
P1 ¹⁾	=	12.75	
P2 *	=	12.09	

Junction Cone

alpha ¹⁾	=	70°	
S	=	53.59	
r1 max	=	0.80	
r2	=	3.20	

Collar

H1 *	=	8.75	
H2 ¹⁾	=	8.70	

Commencement of Rifling

G1 ¹⁾ *	=	7.87	
G ¹⁾ *	=	10.66	
alpha l	=	90°	
h	=	0.42	
s *	=	3.50	
i ¹⁾	=	1°	
w	=		

Barrel

F ¹⁾ *	=	7.62	
Z ¹⁾	=	7.82	

Grooves

b	=	4.47	
N	=	4	
u	=	305.00	
Q	=	47.51	mm ²

Notes: 1) Check for safety reasons
3) Headspace on Shoulder
* Basic dimensions