

C.I.P.**32 Rem.**

TAB.

I

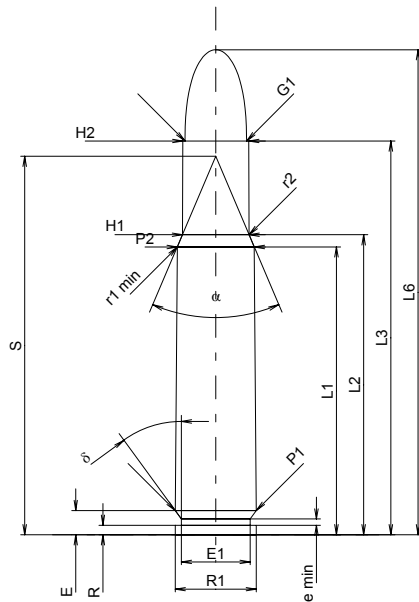
Date

84-06-14

Revision

02-05-15

Country of Origin: US

**CARTRIDGE MAXI****Lengths**

L1 ¹⁾	=	38.05	-0.20
L2 ¹⁾	=	39.67	-0.20
L3 ¹⁾	=	52.07	
L4	=		
L5	=		
L6	=	64.14	

Case Head

R	=	1.24	
R1	=	10.72	
R3	=		
E	=	3.19	
E1	=	9.09	
e min	=	0.84	
delta	=	36°	
f	=		
beta	=	35°	

Powder Chamber

P1	=	10.71	
P2 ^{1)*}	=	10.19	-0.20

Junction Cone

alpha*	=	46°	
S*	=	50.05	
r1 min	=	0.64	
r2	=	2.54	

Collar

H1*	=	8.81	
H2 ¹⁾	=	8.73	

Projectile

G1 ¹⁾	=	8.15	
G2	=		
F	=		
L3+G ¹⁾	=	55.33	

Pressures (Energies)**Method Transducer**

Pmax	=	2950 bar	
PK	=	3393 bar	
PE	=	3690 bar	
M	=	25.00	
EE	=	2435 Joule	

Miscellaneous Dimensions

Fe ¹⁾	=	0.15	
delta L	=		

CHAMBER MINI**Lengths**

L1	=	38.01	
L2	=	39.66	
L3 ¹⁾	=	52.20	

Breech

R	=		
R1	=	10.80	
R2	=		
R3	=		
r	=		

Powder Chamber

E	=	3.19	
P1 ¹⁾	=	10.75	
P2*	=	10.22	

Junction Cone

alpha ^{1)*}	=	46°	
S*	=	50.05	
r1 max	=	0.64	
r2	=	2.54	

Collar

H1*	=	8.82	
H2 ¹⁾	=	8.74	

Commencement of Rifling

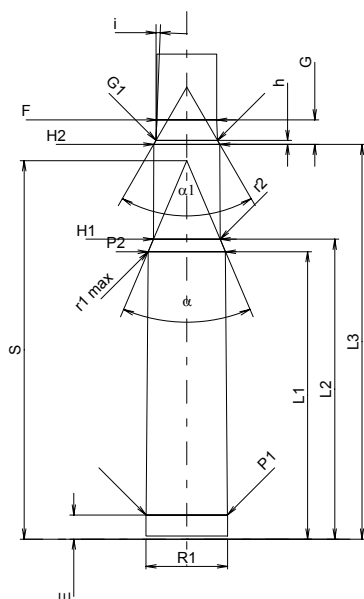
G1 ^{1)*}	=	8.13	
G ¹⁾	=	3.26	
alpha1*	=	60°	
h	=	0.53	
s	=		
i ^{1)*}	=	2°12'23"	
w	=		

Barrel

F ^{1)*}	=	7.92	
Z ¹⁾	=	8.10	

Grooves

b	=	2.79	
N	=	7	
u	=	356.00	
Q	=	51.10	mm ²



Scale 1:1

Dimensions in << mm >>
Dimensions and Tolerances for Proof Barrels
see Appendix CR 1.

Notes: 1) Check for safety reasons
* Basic dimensions