

# C.I.P.

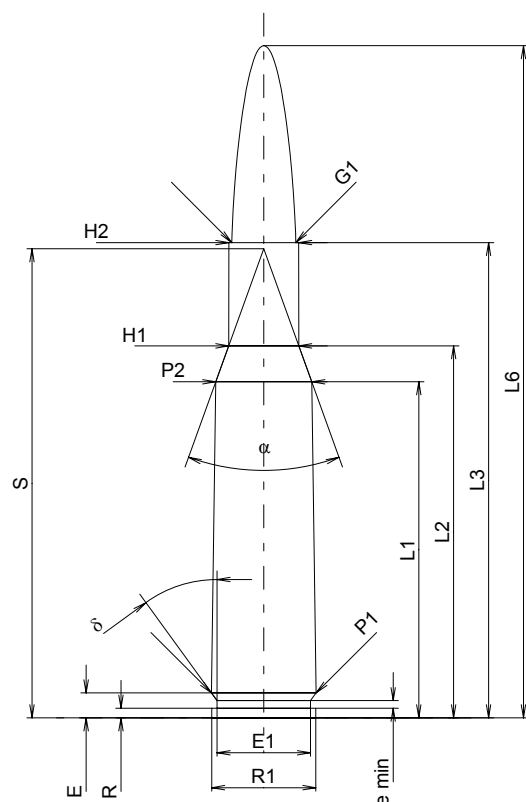
## 333 Riml. N.E.

Country of Origin: GB

TAB. I

Date 84-06-14

Revision 02-05-15



### CARTRIDGE MAXI

#### Lengths

L1 <sup>1)</sup>	=	44.45	-0.20
L2 <sup>1)</sup>	=	49.20	-0.20
L3 <sup>1)</sup>	=	62.86	
L4	=		
L5	=		
L6	=	88.90	

#### Case Head

R	=	1.27	
R1	=	13.79	
R3	=		
E	=	3.30	
E1	=	12.37	
e min	=	1.02	
delta	=	36°02'39"	
f	=		
beta	=		

#### Powder Chamber

P1	=	13.84	
P2 <sup>1)</sup> *	=	12.70	-0.20

#### Junction Cone

alpha	=	39°42'15"	
S	=	62.04	
r1 min	=		
r2	=		

#### Collar

H1*	=	9.27	
H2 <sup>1)</sup>	=	9.22	

#### Projectile

G1 <sup>1)</sup>	=	8.46	
G2	=		
F	=		
L3+G <sup>1)</sup>	=	68.97	

#### Pressures (Energies)

##### Method Transducer

Pmax	=	3300 bar	
PK	=	3795 bar	
PE	=	4125 bar	
M	=	25.00	
EE	=	4320 Joule	

#### Miscellaneous Dimensions

Fe <sup>1)</sup>	=	0.15	
delta L	=		

### CHAMBER MINI

#### Lengths

L1*	=	44.40	
L2*	=	49.15	
L3 <sup>1)</sup>	=	63.17	

#### Breech

R	=	1.27	
R1	=	13.84	
R2	=		
R3	=		
r	=		

#### Powder Chamber

E	=	3.30	
P1 <sup>1)</sup>	=	13.87	
P2*	=	12.73	

#### Junction Cone

alpha <sup>1)</sup>	=	39°42'14"	
S	=	62.03	
r1 max	=		
r2	=		

#### Collar

H1*	=	9.30	
H2 <sup>1)</sup>	=	9.25	

#### Commencement of Rifling

G1 <sup>1)</sup> *	=	8.50	
G <sup>1)</sup> *	=	6.11	
alpha1	=	90°	
h*	=	0.38	
s	=		
i <sup>1)</sup>	=	1°29'57"	
w	=		

#### Barrel

F <sup>1)</sup> *	=	8.20	
Z <sup>1)</sup>	=	8.46	

#### Grooves

b	=		
N	=		
u	=		
Q	=	52.81	mm <sup>2</sup>

Scale 1:1

Dimensions in << mm >>  
Dimensions and Tolerances for Proof Barrels  
see Appendix CR 1.

Notes: 1) Check for safety reasons  
\* Basic dimensions