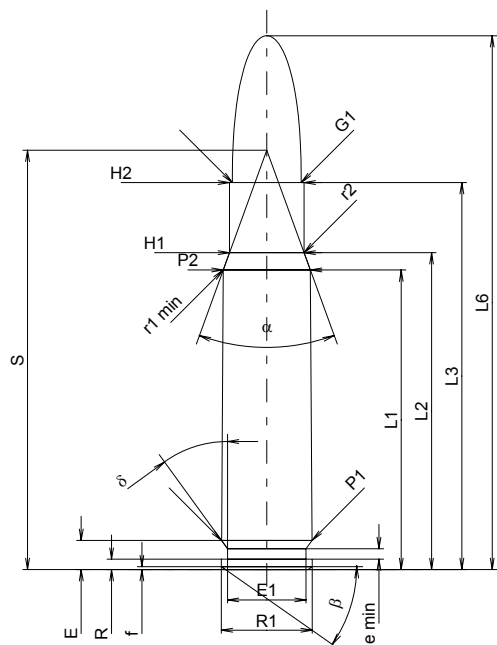


# C.I.P.

# 358 Win.

**TAB. I**
**Date 84-06-14**

Country of Origin: US

**Revision 02-05-15**

**CARTRIDGE MAXI**
**Lengths**

L1 <sup>1)</sup>	=	39.62	-0.20
L2 <sup>1)</sup>	=	41.91	-0.20
L3 <sup>1)</sup>	=	51.18	
L4	=		
L5	=		
L6	=	70.61	

**Case Head**

R	=	1.37	
R1	=	12.01	
R3	=		
E	=	3.85	
E1	=	10.39	
e min	=	1.40	
delta	=	36°	
f	=	0.38	
beta	=	35°	

**Powder Chamber**

P1	=	11.96	
P2 <sup>1)*</sup>	=	11.53	-0.20

**Junction Cone**

alpha*	=	40°	
S*	=	55.46	
r1 min	=	0.76	
r2	=	2.54	

**Collar**

H1*	=	9.86	
H2 <sup>1)</sup>	=	9.86	

**Projectile**

G1 <sup>1)</sup>	=	9.11	
G2	=		
F	=		
L3+G <sup>1)</sup>	=	57.14	

**Pressures (Energies)**
**Method Transducer**

Pmax	=	4050 bar	
PK	=	4658 bar	
PE	=	5060 bar	
M	=	25.00	
EE	=	4270 Joule	

**Miscellaneous Dimensions**

Fe <sup>1)</sup>	=	0.10	
delta L	=	0.10	

**CHAMBER MINI**
**Lengths**

L1	=	39.48	
L2	=	41.72	
L3 <sup>1)</sup>	=	51.44	

**Breech**

R	=		
R1	=	12.03	
R2	=		
R3	=		
r	=		

**Powder Chamber**

E	=	3.85	
P1 <sup>1)</sup>	=	11.99	
P2*	=	11.56	

**Junction Cone**

alpha <sup>1)*</sup>	=	40°	
S*	=	55.36	
r1 max	=	0.76	
r2	=	2.79	

**Collar**

H1*	=	9.93	
H2 <sup>1)</sup>	=	9.88	

**Commencement of Rifling**

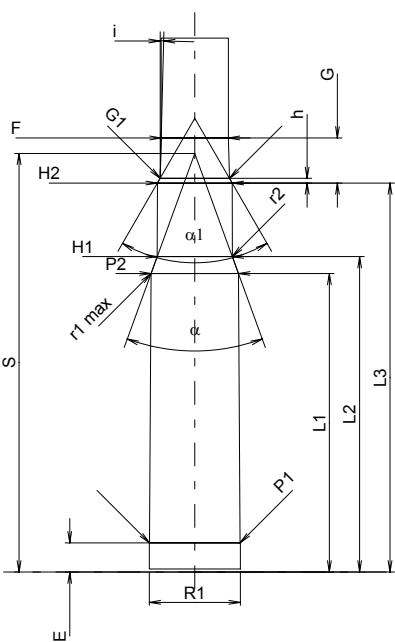
G1 <sup>1)*</sup>	=	9.17	
G <sup>1)</sup>	=	5.96	
alpha1*	=	60°	
h	=	0.61	
s	=		
i <sup>1)*</sup>	=	1°30'	
w	=		

**Barrel**

F <sup>1)*</sup>	=	8.89	
Z <sup>1)</sup>	=	9.09	

**Grooves**

b	=	2.79	
N	=	6	
u	=	305.00	
Q	=	63.77	mm <sup>2</sup>



Scale 1:1

 Dimensions in << mm >>  
 Dimensions and Tolerances for Proof Barrels  
 see Appendix CR 1.

 Notes: 1) Check for safety reasons  
 \* Basic dimensions