

# C.I.P.

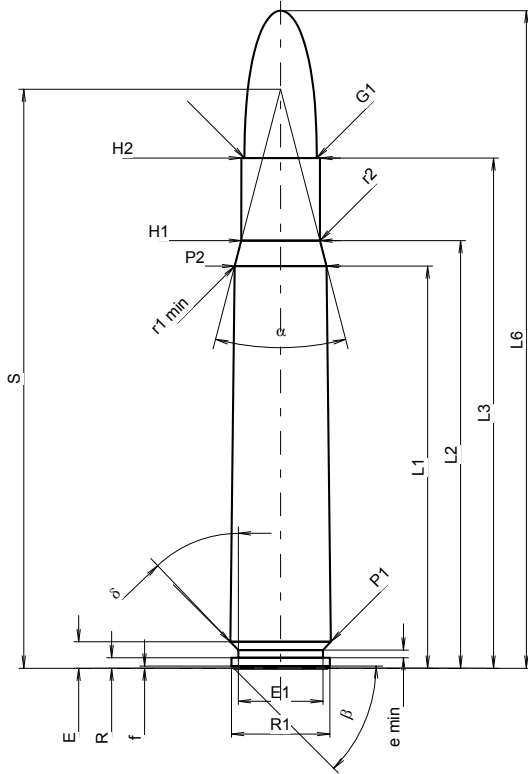
## 375 Hölderlin

Country of Origin: DE

TAB. I

Date 07-05-14

Revision



### CARTRIDGE MAXI

#### Lengths

L1 <sup>1)</sup>	=	53.20	-0.20
L2 <sup>1)</sup>	=	56.57	-0.20
L3 <sup>1)</sup>	=	67.50	
L4	=		
L5	=		
L6	=	87.00	

#### Case Head

R	=	1.40	
R1	=	13.00	
R3	=		
E	=	3.50	
E1	=	11.20	
e min	=	1.00	
delta	=	43°40'12"	
f	=	0.30	
beta	=	45°	

#### Powder Chamber

P1	=	13.30	
P2 <sup>1)</sup> *	=	12.15	-0.20

#### Junction Cone

alpha *	=	29°05'34"	
S *	=	76.60	
r1 min	=	0.50	
r2	=	0.50	

#### Collar

H1 *	=	10.40	
H2 <sup>1)</sup>	=	10.39	

#### Projectile

G1 <sup>1)</sup>	=	9.55	
G2	=		
F	=		
L3+G <sup>1)</sup>	=	74.22	

#### Pressures (Energies)

##### Method Transducer

Pmax	=	3800 bar	
PK	=	4370 bar	
PE	=	4750 bar	
M	=	25.00	
EE	=	6800 Joule	

#### Miscellaneous Dimensions

Fe <sup>1)3)</sup>	=	0.10	
delta L	=		

### CHAMBER MINI

#### Lengths

L1	=	53.14	
L2	=	56.51	
L3 <sup>1)</sup>	=	67.80	

#### Breech

R	=	1.40	
R1	=	13.05	
R2	=		
R3	=		
r	=		

#### Powder Chamber

E	=	3.50	
P1 <sup>1)</sup>	=	13.33	
P2 *	=	12.18	

#### Junction Cone

alpha <sup>1)</sup> *	=	29°05'34"	
S *	=	76.61	
r1 max	=	0.50	
r2	=	0.50	

#### Collar

H1 *	=	10.43	
H2 <sup>1)</sup>	=	10.42	

#### Commencement of Rifling

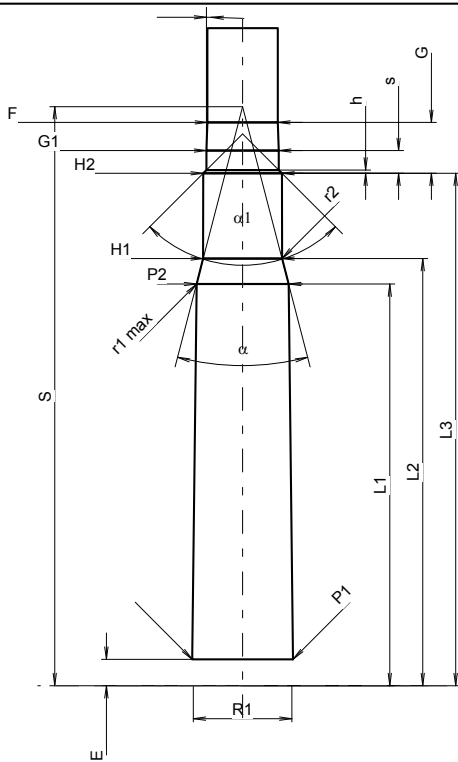
G1 <sup>1)</sup> *	=	9.56	
G <sup>1)</sup>	=	6.72	
alpha1 *	=	90°	
h	=	0.43	
s *	=	3.00	
i <sup>1)</sup>	=	2°	
w	=		

#### Barrel

F <sup>1)</sup> *	=	9.30	
Z <sup>1)</sup>	=	9.55	

#### Grooves

b	=	2.92	
N	=	6	
u	=	305.00	
Q	=	70.16	mm <sup>2</sup>



Scale 1:1

Dimensions in << mm >>  
Dimensions and Tolerances for Proof Barrels  
see Appendix CR 1.

Notes: 1) Check for safety reasons  
3) Headspace on Shoulder  
\* Basic dimensions