

C.I.P.

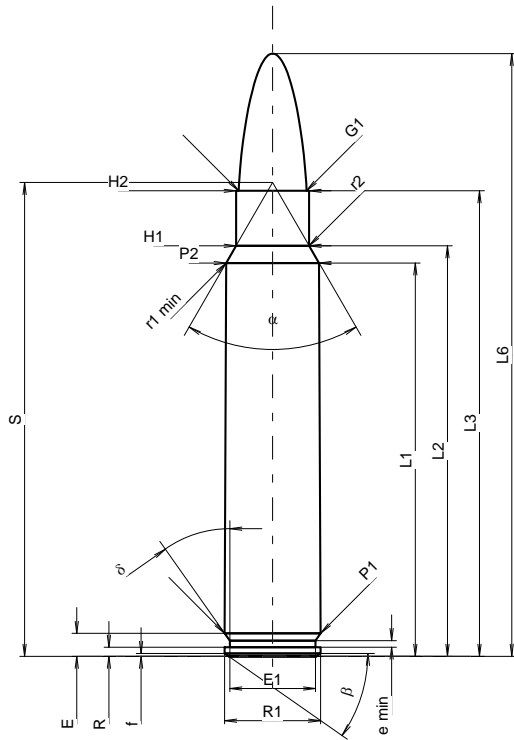
375 Ruger

Country of Origin: US

TAB. I

Date 09-05-05

Revision



CARTRIDGE MAXI

Lengths

L1 ¹⁾	=	55.36	-0.20
L2 ¹⁾	=	57.78	-0.20
L3 ¹⁾	=	65.53	
L4	=		
L5	=		
L6	=	84.84	

Case Head

R	=	1.27	
R1	=	13.51	
R3	=		
E	=	3.24	
E1	=	12.07	
e min	=	0.94	
delta	=	35°	
f	=	0.41	
beta	=	35°	

Powder Chamber

P1	=	13.52	
P2 ¹⁾ *	=	13.08	-0.20

Junction Cone

alpha [*]	=	60°	
S [*]	=	66.70	
r1 min	=	0.76	
r2	=	3.18	

Collar

H1 [*]	=	10.29	
H2 ¹⁾	=	10.29	

Projectile

G1 ¹⁾	=	9.55	
G2	=		
F	=		
L3+G ¹⁾	=	74.04	

Pressures (Energies)

Method Transducer

Pmax	=	4275 bar	
PK	=	4916 bar	
PE	=	5344 bar	
M	=	25.00	
EE	=	6350 Joule	

Miscellaneous Dimensions

Fe ¹⁾³⁾	=	0.10	
delta L	=	0.10	

CHAMBER MINI

Lengths

L1	=	55.24	
L2	=	57.64	
L3 ¹⁾	=	65.79	

Breech

R	=		
R1	=	13.58	
R2	=		
R3	=		
r	=		

Powder Chamber

E	=	3.24	
P1 ¹⁾	=	13.55	
P2 [*]	=	13.11	

Junction Cone

alpha ¹⁾ *	=	60°	
S [*]	=	66.60	
r1 max	=	0.76	
r2	=	3.18	

Collar

H1 [*]	=	10.34	
H2 ¹⁾	=	10.31	

Commencement of Rifling

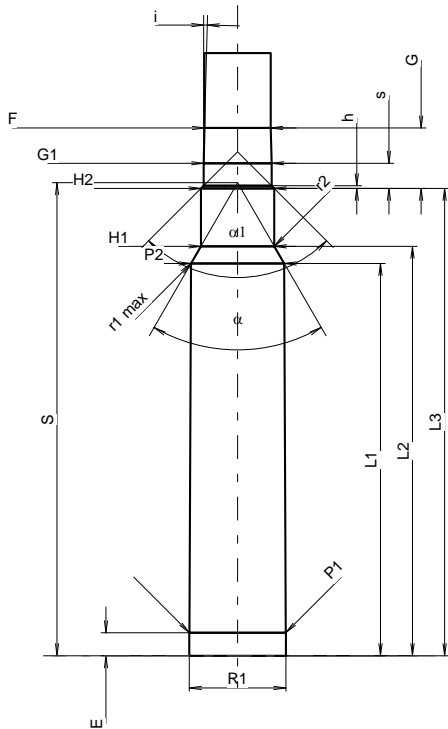
G1 ¹⁾ *	=	9.56	
G ¹⁾	=	8.51	
alpha l	=	90°	
h	=	0.38	
s [*]	=	3.55	
i ¹⁾ *	=	1°30'	
w	=		

Barrel

F ¹⁾ *	=	9.30	
Z ¹⁾	=	9.55	

Grooves

b	=	2.92	
N	=	6	
u	=	305.00	
Q	=	70.16	mm ²



Scale 1:1.06

Dimensions in << mm >>
Dimensions and Tolerances for Proof Barrels
see Appendix CR 1.

Notes: 1) Check for safety reasons
3) Headspace on Shoulder
* Basic dimensions