

# C.I.P.

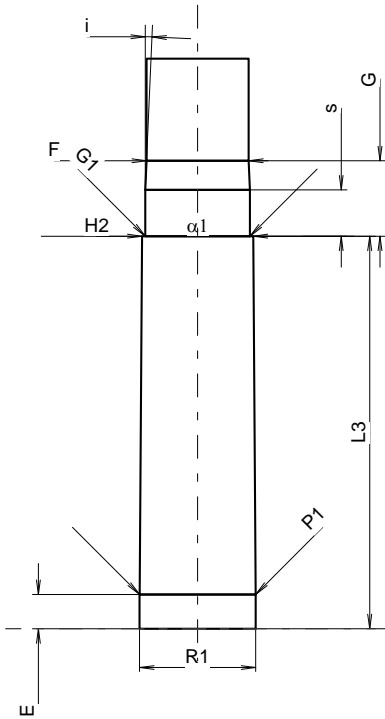
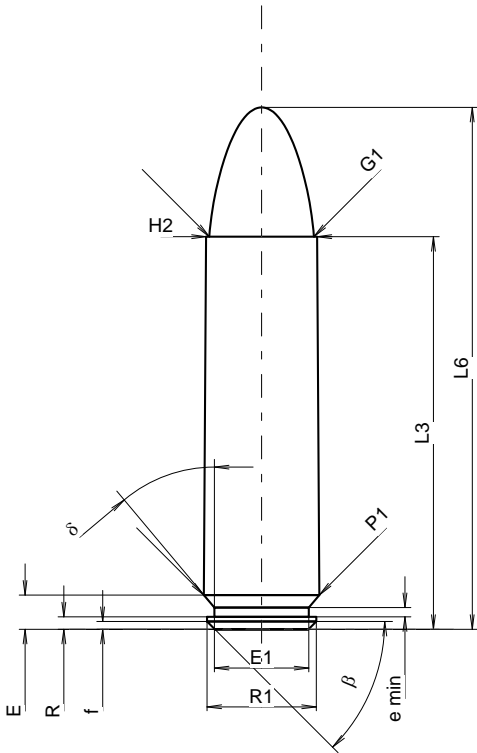
## 450 Bushmaster

Country of Origin: US

TAB. I

Date 10-05-26

Revision



Scale 1.2:1

### CARTRIDGE MAXI

#### Lengths

L1	=		
L2	=		
L3 <sup>1)</sup>	=	43.18	-0.25
L4	=		
L5	=		
L6	=	57.40	

#### Case Head

R	=	1.37	
R1	=	12.01	
R3	=		
E	=	3.77	
E1	=	10.39	
e min	=	1.02	
delta	=	40°	
f	=	0.86	
beta	=	45°	

#### Powder Chamber

P1	=	12.70	
P2	=		

#### Junction Cone

alpha	=		
S	=		
r1 min	=		
r2	=		

#### Collar

H1	=		
H2 <sup>1)</sup>	=	12.19	

#### Projectile

G1 <sup>1)</sup>	=	11.49	
G2	=		
F	=		
L3+G <sup>1)</sup>	=	51.47	

#### Pressures (Energies)

##### Method Transducer

Pmax	=	2700 bar	
PK	=	3105 bar	
PE	=	3375 bar	
M	=	25.00	
EE	=	3950 Joule	

#### Miscellaneous Dimensions

Fe <sup>1)6)</sup>	=	0.15	
delta L	=		

### CHAMBER MINI

#### Lengths

L1	=		
L2	=		
L3 <sup>1)</sup>	=	43.18	

#### Breech

R	=		
R1	=	12.79	
R2	=		
R3	=		
r	=		

#### Powder Chamber

E	=	3.77	
P1 <sup>1)</sup>	=	12.75	
P2	=		

#### Junction Cone

alpha	=		
S	=		
r1 max	=		
r2	=		

#### Collar

H1	=		
H2 <sup>1)</sup>	=	12.22	

#### Commencement of Rifling

G1 <sup>1)</sup> *	=	11.51	
G <sup>1)</sup>	=	8.29	
alpha1	=	180°	
h	=		
s *	=	5.08	
i <sup>1)</sup> *	=	2°30'	
w	=		

#### Barrel

F <sup>1)</sup> *	=	11.23	
Z <sup>1)</sup>	=	11.43	

#### Grooves

b	=	3.76	
N	=	6	
u	=	609.60	
Q	=	101.35	mm <sup>2</sup>

Dimensions in << mm >>  
Dimensions and Tolerances for Proof Barrels  
see Appendix CR 1.

Notes: 1) Check for safety reasons  
6) Headspace on Case Mouth  
\* Basic dimensions