

C.I.P.

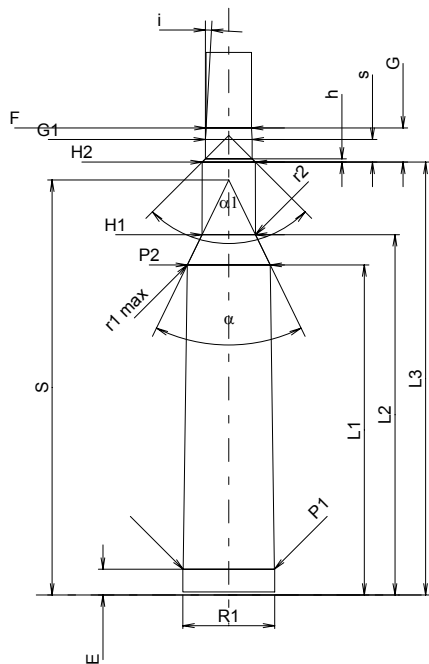
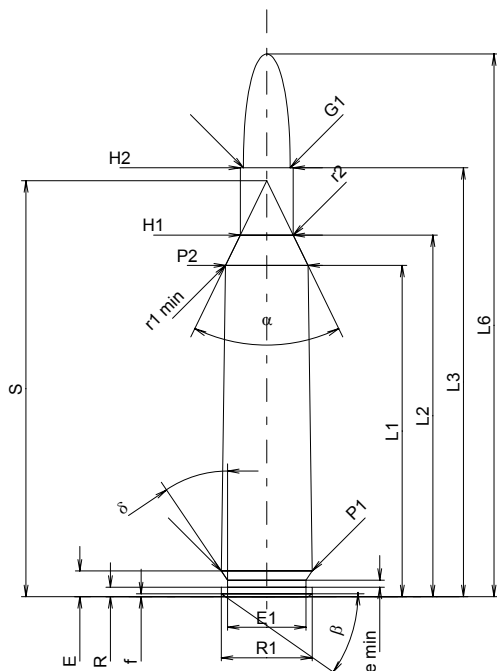
6 mm Rem. (244 Rem.)

Country of Origin: US

TAB. I

Date 84-06-14

Revision 02-05-15



Scale 1:1

Dimensions in << mm >>
Dimensions and Tolerances for Proof Barrels
see Appendix CR 1.

CARTRIDGE MAXI

Lengths

L1 ¹⁾	=	43.81	-0.20
L2 ¹⁾	=	47.81	-0.20
L3 ¹⁾	=	56.72	
L4	=		
L5	=		
L6	=	71.76	

Case Head

R	=	1.24	
R1	=	12.01	
R3	=		
E	=	3.40	
E1	=	10.36	
e min	=	0.94	
delta	=	34°	
f	=	0.38	
beta	=	35°	

Powder Chamber

P1	=	12.01	
P2 ^{1)*}	=	10.91	-0.20

Junction Cone

alpha*	=	52°	
S*	=	55.00	
r1 min	=	0.64	
r2	=	2.54	

Collar

H1*	=	7.01	
H2 ¹⁾	=	7.01	

Projectile

G1 ¹⁾	=	6.18	
G2	=		
F	=		
L3+G ¹⁾	=	61.24	

Pressures (Energies)

Method Transducer

Pmax	=	4300 bar	
PK	=	4945 bar	
PE	=	5375 bar	
M	=	25.00	
EE	=	3180 Joule	

Miscellaneous Dimensions

Fe ¹⁾	=	0.10	
delta L	=	0.10	

CHAMBER MINI

Lengths

L1	=	43.66	
L2	=	47.66	
L3 ¹⁾	=	57.25	

Breech

R	=		
R1	=	12.14	
R2	=		
R3	=		
r	=		

Powder Chamber

E	=	3.40	
P1 ¹⁾	=	12.04	
P2*	=	10.96	

Junction Cone

alpha ^{1)*}	=	52°	
S*	=	54.90	
r1 max	=	0.64	
r2	=	3.18	

Collar

H1*	=	7.06	
H2 ¹⁾	=	7.04	

Commencement of Rifling

G1 ^{1)*}	=	6.19	
G ¹⁾	=	4.52	
alpha1*	=	90°	
h	=	0.43	
s	=	3.00	
i ^{1)*}	=	3°	
w	=		

Barrel

F ^{1)*}	=	6.02	
Z ¹⁾	=	6.17	

Grooves

b	=	2.29	
N	=	6	
u	=	228.60	
Q	=	29.48	mm ²

Notes: 1) Check for safety reasons
* Basic dimensions