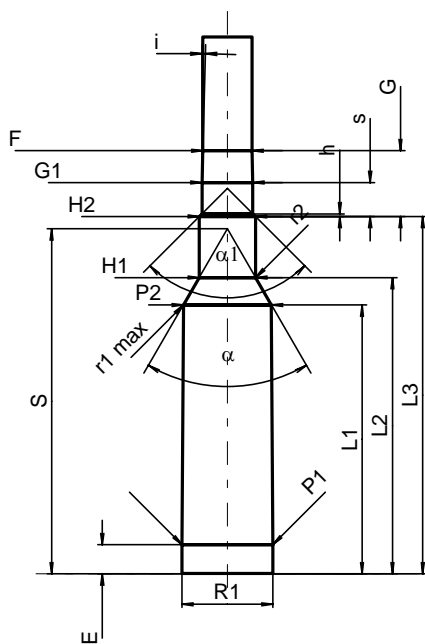
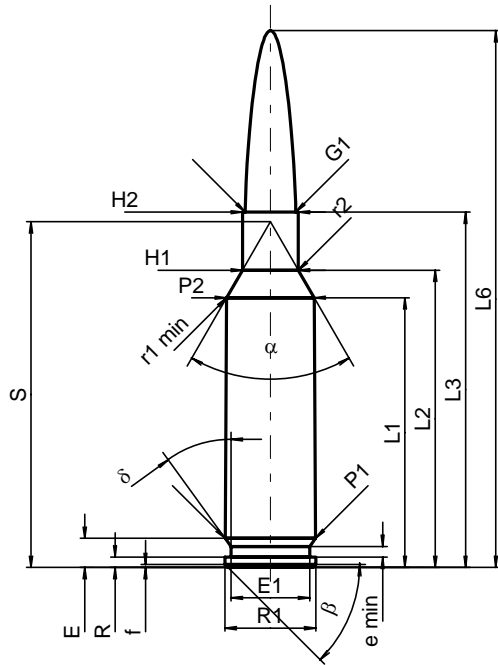


# C.I.P.

## 6,5 x 47 Lapua

Country of Origin: FI

TAB.	I
Date	06-05-16
Revision	



Scale 1:1

Dimensions in << mm >>  
Dimensions and Tolerances for Proof Barrels  
see Appendix CR 1.

### CARTRIDGE MAXI

#### Lengths

L1 <sup>1)</sup>	=	35.68	-0.20
L2 <sup>1)</sup>	=	39.31	-0.20
L3 <sup>1)</sup>	=	47.00	
L4	=		
L5	=		
L6	=	71.00	

#### Case Head

R	=	1.37	
R1	=	12.01	
R3	=		
E	=	3.85	
E1	=	10.39	
e min	=	1.40	
delta	=	36°	
f	=	0.38	
beta	=	45°	

#### Powder Chamber

P1	=	11.95	
P2 <sup>1)*</sup>	=	11.59	-0.20

#### Junction Cone

alpha *	=	60°	
S *	=	45.721	
r1 min	=	1.00	
r2	=	1.50	

#### Collar

H1 *	=	7.40	
H2 <sup>1)</sup>	=	7.40	

#### Projectile

G1 <sup>1)*</sup>	=	6.71	
G2	=		
F	=		
L3+G <sup>1)</sup>	=	55.70	

#### Pressures (Energies)

##### Method Transducer

Pmax	=	4350 bar	
PK	=	5003 bar	
PE	=	5438 bar	
M	=	25.00	
EE	=	3300 Joule	

#### Miscellaneous Dimensions

Fe	=	0.10	
delta L	=		

### CHAMBER MINI

#### Lengths

L1	=	35.57	
L2	=	39.19	
L3 <sup>1)</sup>	=	47.26	

#### Breech

R	=		
R1	=	12.04	
R2	=		
R3	=		
r	=		

#### Powder Chamber

E	=	3.85	
P1 <sup>1)</sup>	=	11.99	
P2 *	=	11.63	

#### Junction Cone

alpha <sup>1)*</sup>	=	60°	
S *	=	45.64	
r1 max	=	0.75	
r2	=	1.75	

#### Collar

H1 *	=	7.45	
H2 <sup>1)</sup>	=	7.42	

#### Commencement of Rifling

G1 <sup>1)*</sup>	=	6.72	
G	=	8.70	
alpha1	=	90°	
h	=	0.35	
s *	=	4.50	
i <sup>1)*</sup>	=	1°30'	
w	=		

#### Barrel

F <sup>1)*</sup>	=	6.50	
Z <sup>1)</sup>	=	6.70	

#### Grooves

b	=	2.29	
N	=	6	
u	=	200.00	
Q	=	34.95	mm <sup>2</sup>

Notes: 1) Check for safety reasons  
\* Basic dimensions