

C.I.P.

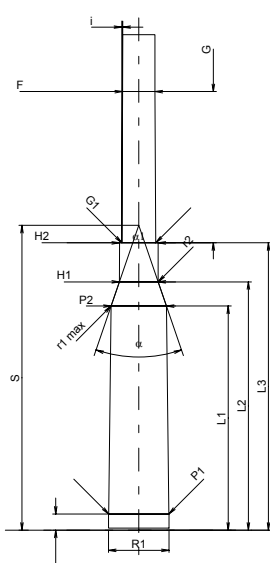
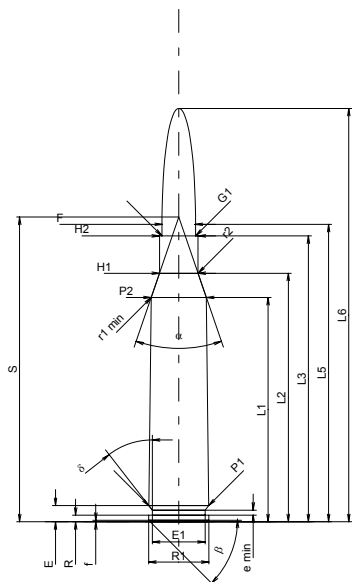
6,5 x 57

TAB. I

Date 84-06-14

Country of Origin: DE

Revision 02-05-15



Scale 1:1.5

Dimensions in << mm >>
Dimensions and Tolerances for Proof Barrels
see Appendix CR 1.

CARTRIDGE MAXI**Lengths**

L1 ¹⁾ *	=	44.50	-0.20
L2 ¹⁾ *	=	49.30	-0.20
L3 ¹⁾	=	56.70	
L4	=		
L5	=	59.00	
L6	=	82.00	

Case Head

R	=	1.30	
R1	=	11.95	
R3	=		
E	=	3.20	
E1	=	10.50	
e min	=	1.00	
delta	=	37°52'48"	
f	=	0.30	
beta	=	45°	

Powder Chamber

P1	=	11.90	
P2 ¹⁾ *	=	10.94	-0.20

Junction Cone

alpha	=	37°50'02"	
S	=	60.46	
r1 min	=	0.50	
r2	=	0.50	

Collar

H1 *	=	7.65	
H2 ¹⁾	=	7.65	

Projectile

G1 ¹⁾	=	6.70	
G2	=	6.70	
F	=		
L3+G ¹⁾	=	86.70	

Pressures (Energies)**Method Transducer**

Pmax	=	3900 bar	
PK	=	4485 bar	
PE	=	4875 bar	
M	=	25.00	
EE	=	3260 Joule	

Miscellaneous Dimensions

Fe ¹⁾	=	0.10	
delta L	=		

CHAMBER MINI**Lengths**

L1 *	=	44.46	
L2 *	=	49.26	
L3 ¹⁾	=	57.00	

Breech

R	=	1.30	
R1	=	12.00	
R2	=		
R3	=		
r	=		

Powder Chamber

E	=	3.20	
P1 ¹⁾	=	11.93	
P2 *	=	10.97	

Junction Cone

alpha ¹⁾	=	37°49'58"	
S	=	60.46	
r1 max	=	0.50	
r2	=	0.50	

Collar

H1 *	=	7.68	
H2 ¹⁾	=	7.67	

Commencement of Rifling

G1 ¹⁾ *	=	6.75	
G ¹⁾ *	=	30.00	
alpha1	=	180°	
h	=		
s	=		
i ¹⁾	=	0°17'11"	
w	=		

Barrel

F ¹⁾ *	=	6.45	
Z ¹⁾	=	6.70	

Grooves

b	=	3.50	
N	=	4	
u	=	200.00	
Q	=	34.52	mm ²

Notes: 1) Check for safety reasons
* Basic dimensions