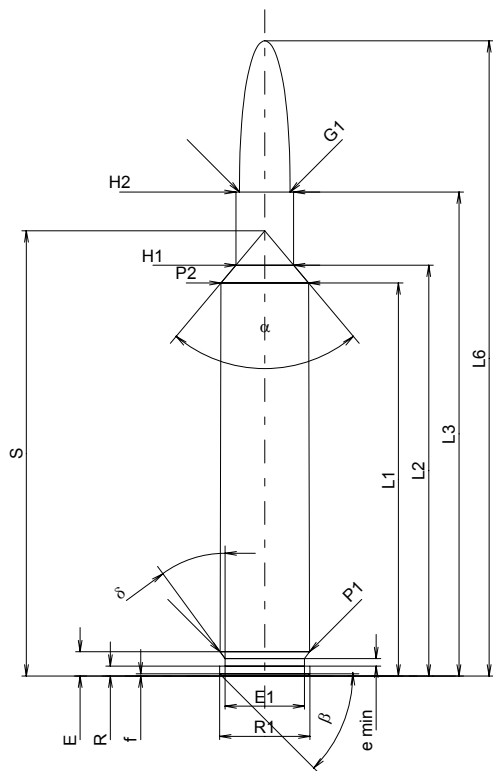


C.I.P.

6,5 x 64

TAB. I
Date 92-02-27

Country of Origin: DE

Revision 02-05-15

CARTRIDGE MAXI
Lengths

L1 ¹⁾ *	=	51.97	-0.20
L2 ¹⁾ *	=	54.32	-0.20
L3 ¹⁾	=	64.00	
L4	=		
L5	=		
L6	=	84.00	

Case Head

R	=	1.30	
R1	=	11.95	
R3	=		
E	=	3.20	
E1	=	10.50	
e min	=	1.00	
delta	=	36°15'	
f	=	0.30	
beta	=	45°	

Powder Chamber

P1	=	11.82	
P2 ¹⁾ *	=	11.60	-0.20

Junction Cone

alpha	=	80°05'21"	
S	=	58.87	
r1 min	=		
r2	=		

Collar

H1 *	=	7.65	
H2 ¹⁾	=	7.64	

Projectile

G1 ¹⁾	=	6.70	
G2	=		
F	=		
L3+G ¹⁾	=	72.00	

Pressures (Energies)
Method Transducer

Pmax	=	4300 bar	
PK	=	4945 bar	
PE	=	5375 bar	
M	=	25.00	
EE	=	3645 Joule	

Miscellaneous Dimensions

Fe ¹⁾	=	0.10	
delta L	=		

CHAMBER MINI
Lengths

L1 *	=	51.95	
L2 *	=	54.30	
L3 ¹⁾	=	64.30	

Breech

R	=	1.30	
R1	=	12.00	
R2	=		
R3	=		
r	=		

Powder Chamber

E	=	3.20	
P1 ¹⁾	=	11.84	
P2 *	=	11.63	

Junction Cone

alpha ¹⁾	=	80°05'20"	
S	=	58.87	
r1 max	=		
r2	=		

Collar

H1 *	=	7.68	
H2 ¹⁾	=	7.67	

Commencement of Rifling

G1 ¹⁾ *	=	6.72	
G ¹⁾ *	=	8.00	
alpha1	=	180°	
h	=		
s	=		
i ¹⁾	=	0°58'	
w	=		

Barrel

F ¹⁾ *	=	6.45	
Z ¹⁾	=	6.70	

Grooves

b	=	3.60	
N	=	4	
u	=	228.00	
Q	=	34.58	mm ²

Scale 1:1

 Dimensions in << mm >>
 Dimensions and Tolerances for Proof Barrels
 see Appendix CR 1.

 Notes: 1) Check for safety reasons
 * Basic dimensions