

C.I.P.

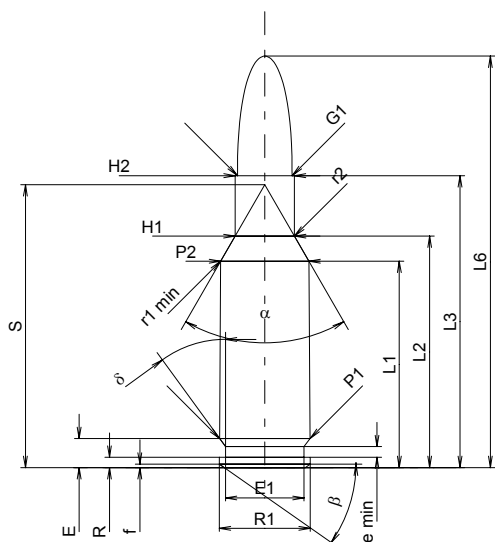
7 mm BR Rem.

Country of Origin: US

TAB. I

Date 94-03-01

Revision 02-05-15

**CARTRIDGE MAXI****Lengths**

L1 ¹⁾	=	27.30	-0.20
L2 ¹⁾	=	30.61	-0.20
L3 ¹⁾	=	38.61	
L4	=		
L5	=		
L6	=	54.42	

Case Head

R	=	1.37	
R1	=	12.01	
R3	=		
E	=	3.85	
E1	=	10.39	
e min	=	1.40	
δ	=	36°	
f	=	0.46	
β	=	35°	

Powder Chamber

P1	=	11.96	
P2 ^{1)*}	=	11.68	-0.20

Junction Cone

α [*]	=	60°	
S [*]	=	37.42	
r1 min	=	0.64	
r2	=	1.27	

Collar

H1 [*]	=	7.86	
H2 ¹⁾	=	7.84	

Projectile

G1 ¹⁾	=	7.23	
G2	=		
F	=		
L3+G ¹⁾	=	43.62	

Pressures (Energies)**Method Transducer**

Pmax	=	4050 bar	
PK	=	4658 bar	
PE	=	5060 bar	
M	=	17.50	
EE	=	3150 Joule	

Miscellaneous Dimensions

Fe ¹⁾	=	0.10	
delta L	=		

CHAMBER MINI**Lengths**

L1	=	27.20	
L2	=	30.52	
L3 ¹⁾	=	38.86	

Breech

R	=		
R1	=	12.04	
R2	=		
R3	=		
r	=		

Powder Chamber

E	=	3.85	
P1 ¹⁾	=	11.99	
P2 [*]	=	11.71	

Junction Cone

α ^{1)*}	=	60°	
S [*]	=	37.34	
r1 max	=	0.64	
r2	=	1.91	

Collar

H1 [*]	=	7.87	
H2 ¹⁾	=	7.85	

Commencement of Rifling

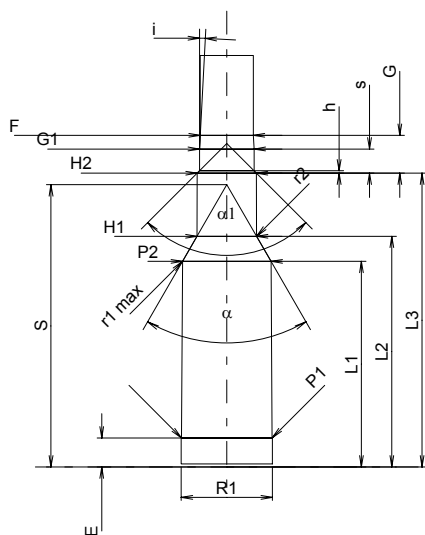
G1 ^{1)*}	=	7.23	
G ¹⁾	=	5.01	
α1 [*]	=	90°	
h	=	0.31	
s	=	3.20	
i ^{1)*}	=	3°	
w	=		

Barrel

F ^{1)*}	=	7.04	
Z ¹⁾	=	7.21	

Grooves

b	=	2.79	
N	=	6	
u	=	241.30	
Q	=	40.39	mm ²



Scale 1:1

Dimensions in << mm >>
Dimensions and Tolerances for Proof Barrels
see Appendix CR 1.Notes: 1) Check for safety reasons
* Basic dimensions