

C.I.P.

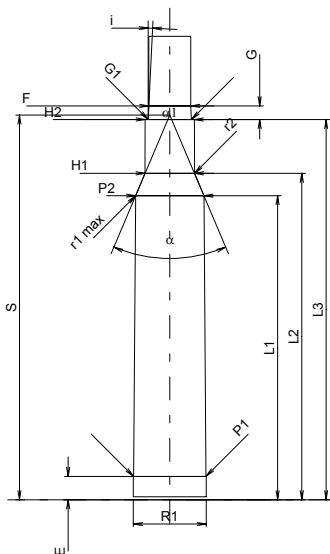
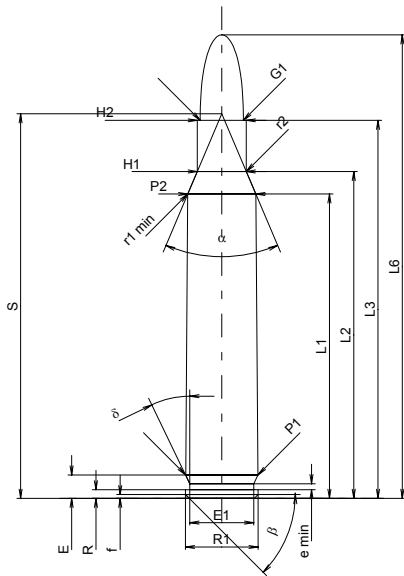
5,6 x 50 Mag.

Country of Origin: DE

TAB. I

Date 84-06-14

Revision 02-05-15



CARTRIDGE MAXI

Lengths

L1 ¹⁾	=	40.26	-0.20
L2 ¹⁾	=	43.23	-0.20
L3 ¹⁾	=	50.00	
L4	=		
L5	=		
L6	=	61.30	

Case Head

R	=	1.14	
R1	=	9.60	
R3	=		
E	=	3.10	
E1	=	8.44	
e min	=	0.80	
δ	=	25°45'	
f	=	0.50	
β	=	45°	

Powder Chamber

P1	=	9.56	
P2 ¹⁾ *	=	9.00	-0.20

Junction Cone

α	=	45°58'38"	
S	=	50.87	
r1 min	=	0.50	
r2	=	0.50	

Collar

H1*	=	6.48	
H2 ¹⁾	=	6.48	

Projectile

G1 ¹⁾	=	5.70	
G2	=		
F	=		
L3+G ¹⁾	=	51.80	

Pressures (Energies)

Method Transducer

Pmax	=	3800 bar	
PK	=	4370 bar	
PE	=	4750 bar	
M	=	25.00	
EE	=	1915 Joule	

Miscellaneous Dimensions

Fe ¹⁾	=	0.15	
delta L	=		

CHAMBER MINI

Lengths

L1*	=	40.22	
L2*	=	43.17	
L3 ¹⁾	=	50.30	

Breech

R	=	1.14	
R1	=	9.64	
R2	=		
R3	=		
r	=		

Powder Chamber

E	=	3.10	
P1 ¹⁾	=	9.59	
P2*	=	9.03	

Junction Cone

α ¹⁾	=	45°55'40"	
S	=	50.88	
r1 max	=	0.50	
r2	=	0.50	

Collar

H1*	=	6.53	
H2 ¹⁾	=	6.51	

Commencement of Rifling

G1 ¹⁾ *	=	5.74	
G ¹⁾ *	=	1.80	
α1	=	180°	
h	=		
s	=		
i ¹⁾	=	2°51'45"	
w	=		

Barrel

F ¹⁾ *	=	5.56	
Z ¹⁾	=	5.69	

Grooves

b	=	2.00	
N	=	6	
u	=	350.00	
Q	=	25.08	mm ²

Scale 1:1

Dimensions in << mm >>
Dimensions and Tolerances for Proof Barrels
see Appendix CR 1.

Notes: 1) Check for safety reasons
* Basic dimensions