

C.I.P.

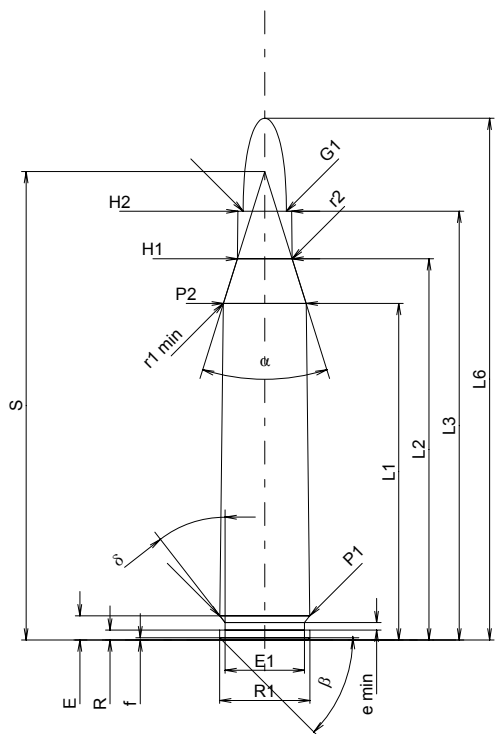
5,6 x 57

Country of Origin: DE

TAB. I

Date 84-06-14

Revision 02-05-15



CARTRIDGE MAXI

Lengths

L1 ¹⁾	=	44.51	-0.20
L2 ¹⁾	=	50.41	-0.20
L3 ¹⁾	=	56.70	
L4	=		
L5	=		
L6	=	69.00	

Case Head

R	=	1.30	
R1	=	11.95	
R3	=		
E	=	3.20	
E1	=	10.50	
e min	=	1.00	
δ	=	37°52'48"	
f	=	0.30	
β	=	45°	

Powder Chamber

P1	=	11.90	
P2 ¹⁾ *	=	10.94	-0.20

Junction Cone

α	=	34°49'05"	
S	=	61.95	
r1 min	=	0.50	
r2	=	0.50	

Collar

H1*	=	7.24	
H2 ¹⁾	=	7.10	

Projectile

G1 ¹⁾	=	5.70	
G2	=		
F	=		
L3+G ¹⁾	=	67.50	

Pressures (Energies)

Method Transducer

Pmax	=	4400 bar	
PK	=	5060 bar	
PE	=	5500 bar	
M	=	25.00	
EE	=	2725 Joule	

Miscellaneous Dimensions

Fe ¹⁾	=	0.10	
delta L	=		

CHAMBER MINI

Lengths

L1*	=	44.46	
L2*	=	50.38	
L3 ¹⁾	=	57.00	

Breech

R	=	1.30	
R1	=	12.00	
R2	=		
R3	=		
r	=		

Powder Chamber

E	=	3.20	
P1 ¹⁾	=	11.93	
P2*	=	10.97	

Junction Cone

α ¹⁾	=	34°47'45"	
S	=	61.96	
r1 max	=	0.50	
r2	=	0.50	

Collar

H1*	=	7.26	
H2 ¹⁾	=	7.12	

Commencement of Rifling

G1 ¹⁾ *	=	5.72	
G ¹⁾ *	=	10.80	
α1	=	180°	
h	=		
s	=		
i ¹⁾	=	0°28'39"	
w	=		

Barrel

F ¹⁾ *	=	5.54	
Z ¹⁾	=	5.69	

Grooves

b	=	2.00	
N	=	6	
u	=	250.00	
Q	=	25.03	mm ²

Scale 1:1

Dimensions in << mm >>
Dimensions and Tolerances for Proof Barrels
see Appendix CR 1.

Notes: 1) Check for safety reasons
* Basic dimensions