

C.I.P.

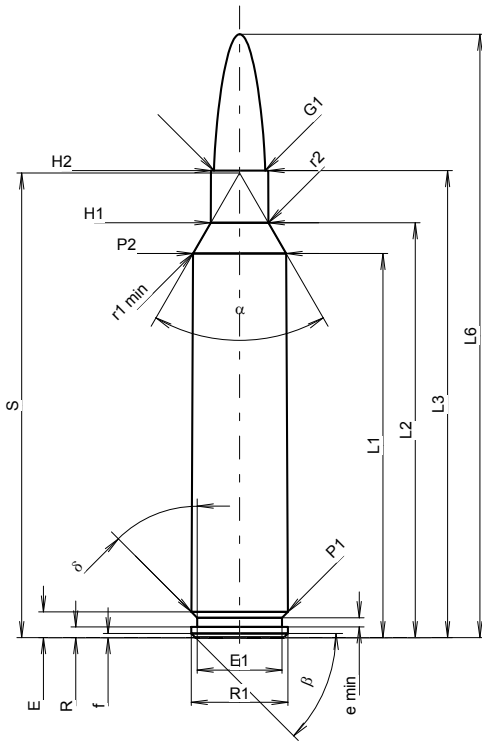
7,82 Warbird

Country of Origin: FI

TAB. I

Date 00-02-15

Revision 08-09-23



CARTRIDGE MAXI

Lengths

L1 ^{1)*}	=	58.70	-0.20
L2 ^{1)*}	=	63.40	-0.20
L3 ¹⁾	=	71.37	
L4	=		
L5	=		
L6	=	92.20	

Case Head

R	=	1.65	
R1	=	14.76	
R3	=		
E	=	3.94	
E1	=	12.95	
e min	=	1.40	
delta	=	45°	
f	=	0.64	
beta	=	45°	

Powder Chamber

P1	=	14.73	
P2 ^{1)*}	=	14.22	-0.20

Junction Cone

alpha	=	60°01'36"	
S	=	71.01	
r1 min	=	1.57	
r2	=	1.57	

Collar

H1 *	=	8.79	
H2 ¹⁾	=	8.76	

Projectile

G1 ¹⁾	=	7.84	
G2	=		
F	=		
L3+G ¹⁾	=	76.33	

Pressures (Energies)

Method Transducer

Pmax	=	4400 bar	
PK	=	5060 bar	
PE	=	5500 bar	
M	=	25.00	
EE	=	6760 Joule	

Miscellaneous Dimensions

Fe ¹⁾³⁾	=	0.10	
delta L	=	0.05	

CHAMBER MINI

Lengths

L1 *	=	58.58	
L2 *	=	63.31	
L3 ¹⁾	=	71.63	

Breech

R	=		
R1	=	14.81	
R2	=		
R3	=		
r	=		

Powder Chamber

E	=	3.94	
P1 ¹⁾	=	14.78	
P2 *	=	14.30	

Junction Cone

alpha ¹⁾	=	59°59'03"	
S	=	70.97	
r1 max	=	1.57	
r2	=	1.57	

Collar

H1 *	=	8.84	
H2 ¹⁾	=	8.81	

Commencement of Rifling

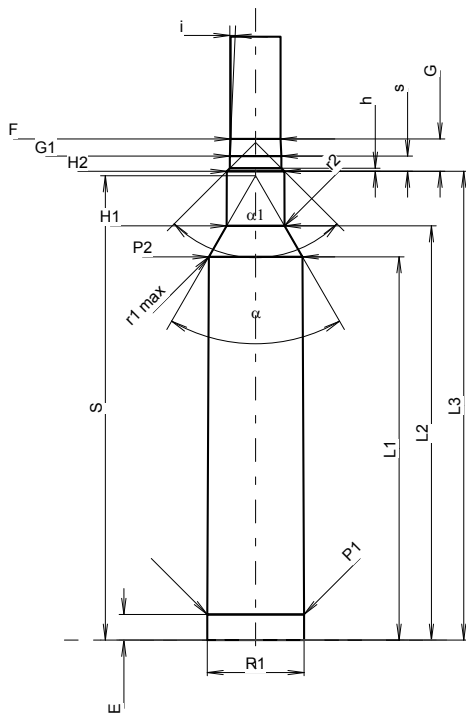
G1 ^{1)*}	=	7.85	
G ^{1)*}	=	4.96	
alpha1	=	90°	
h	=	0.48	
s *	=	2.33	
i ¹⁾	=	2°30'12"	
w	=		

Barrel

F ^{1)*}	=	7.62	
Z ¹⁾	=	7.82	

Grooves

b	=	2.91	
N	=	6	
u	=	305.00	
Q	=	47.38	mm ²



Scale 1:1.15

Dimensions in << mm >>
Dimensions and Tolerances for Proof Barrels
see Appendix CR 1.

Notes: 1) Check for safety reasons
3) Headspace on Shoulder
* Basic dimensions