

C.I.P.

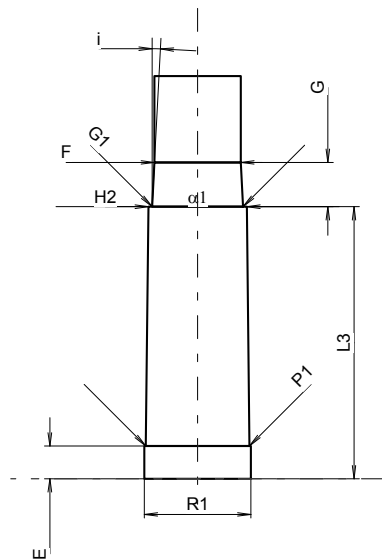
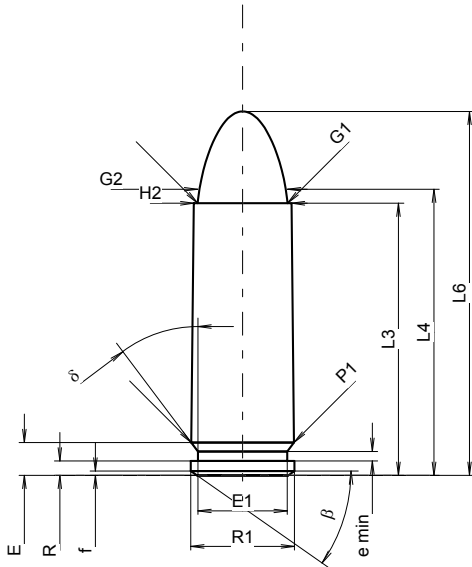
7,92 x 24 VBR

Country of Origin: BE

TAB. I

Date 07-05-14

Revision



Scale 1.5:1

Dimensions in << mm >>
Dimensions and Tolerances for Proof Barrels
see Appendix CR 1.

CARTRIDGE MAXI

Lengths

L1	=	-0.20
L2	=	-0.20
L3 ¹⁾	=	24.00
L4	=	25.24
L5	=	
L6	=	32.10

Case Head

R	=	1.27
R1	=	9.14
R3	=	
E	=	2.90
E1	=	7.87
e min	=	0.84
delta	=	37°
f	=	0.38
beta	=	35°

Powder Chamber

P1	=	9.06
P2	=	-0.20

Junction Cone

alpha	=	
S	=	
r1 min	=	
r2	=	

Collar

H1	=	
H2 ¹⁾	=	8.62

Projectile

G1 ¹⁾	=	7.92
G2	=	7.92
F	=	
L3+G ¹⁾	=	29.09

Pressures (Energies)

Method Transducer

Pmax	=	3310 bar
PK	=	3807 bar
PE	=	4300 bar
M	=	17.50
EE	=	660 Joule

Miscellaneous Dimensions

Fe ¹⁾⁶⁾	=	0.15
delta L	=	

CHAMBER MINI

Lengths

L1	=	
L2	=	
L3 ¹⁾	=	24.00

Breech

R	=	1.27
R1	=	9.40
R2	=	
R3	=	
r	=	

Powder Chamber

E	=	2.90
P1 ¹⁾	=	9.15
P2	=	

Junction Cone

alpha	=	
S	=	
r1 max	=	
r2	=	

Collar

H1	=	
H2 ¹⁾	=	8.69

Commencement of Rifling

G1 ¹⁾ *	=	8.03
G ¹⁾ *	=	3.91
alpha L *	=	180°
h	=	
s	=	
i ¹⁾ *	=	3°00'04"
w	=	

Barrel

F ¹⁾ *	=	7.62
Z ¹⁾	=	7.82

Grooves

b	=	2.92
N	=	6
u	=	250.00
Q	=	47.40 mm ²

Notes: 1) Check for safety reasons
6) Headspace on Case Mouth
* Basic dimensions