

# C.I.P.

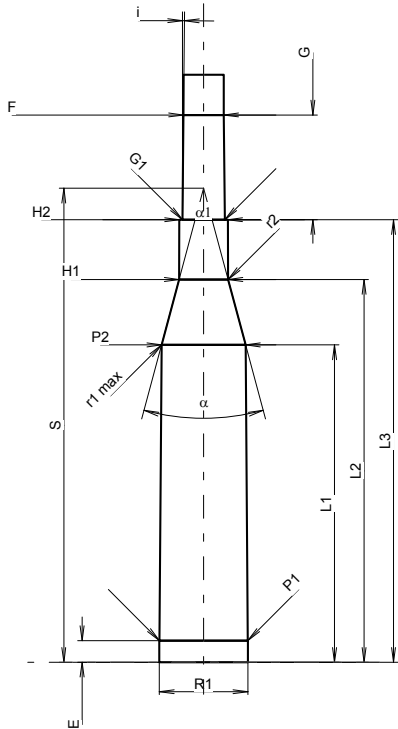
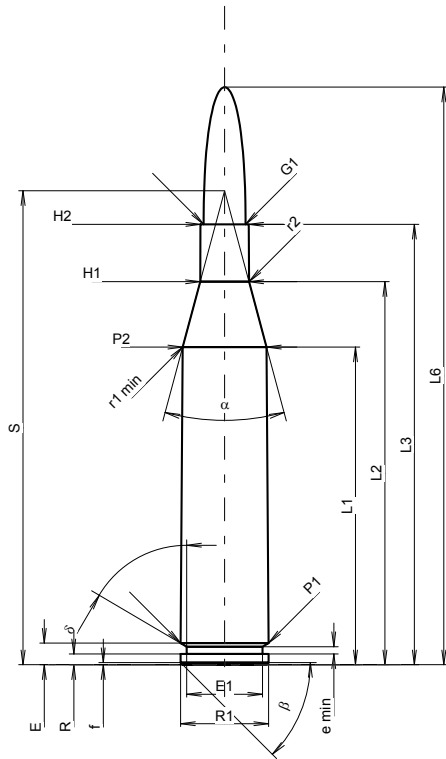
## 5,6 x 61 SE.v.H.

Country of Origin: DE

TAB. I

Date 84-06-14

Revision 08-09-23



Scale 1:1.05

Dimensions in << mm >>  
Dimensions and Tolerances for Proof Barrels  
see Appendix CR 1.

### CARTRIDGE MAXI

#### Lengths

L1 <sup>1)</sup> *	=	44.01	-0.20
L2 <sup>1)</sup> *	=	53.06	-0.20
L3 <sup>1)</sup>	=	61.00	
L4	=		
L5	=		
L6	=	80.00	

#### Case Head

R	=	1.50	
R1	=	12.20	
R3	=		
E	=	3.00	
E1	=	10.50	
e min	=	1.00	
delta	=	59°31'48"	
f	=	0.30	
beta	=	45°	

#### Powder Chamber

P1	=	12.20	
P2 <sup>1)</sup> *	=	11.60	-0.20

#### Junction Cone

alpha	=	30°00'02"	
S	=	65.66	
r1 min	=	0.50	
r2	=	0.50	

#### Collar

H1 *	=	6.75	
H2 <sup>1)</sup>	=	6.68	

#### Projectile

G1 <sup>1)</sup>	=	5.79	
G2	=		
F	=		
L3+G <sup>1)</sup>	=	75.50	

#### Pressures (Energies)

#### Method Transducer

Pmax	=	4400 bar	
PK	=	5060 bar	
PE	=	5500 bar	
M	=	25.00	
EE	=	3005 Joule	

#### Miscellaneous Dimensions

Fe <sup>1)3)</sup>	=	0.10	
delta L	=		

### CHAMBER MINI

#### Lengths

L1 *	=	43.96	
L2 *	=	53.01	
L3 <sup>1)</sup>	=	61.30	

#### Breech

R	=	1.50	
R1	=	12.25	
R2	=		
R3	=		
r	=		

#### Powder Chamber

E	=	3.00	
P1 <sup>1)</sup>	=	12.23	
P2 *	=	11.63	

#### Junction Cone

alpha <sup>1)</sup>	=	30°00'02"	
S	=	65.66	
r1 max	=	0.50	
r2	=	0.50	

#### Collar

H1 *	=	6.78	
H2 <sup>1)</sup>	=	6.71	

#### Commencement of Rifling

G1 <sup>1)</sup> *	=	5.87	
G <sup>1)</sup> *	=	14.50	
alpha l	=	180°	
h	=		
s	=		
i <sup>1)</sup>	=	0°34'22"	
w	=		

#### Barrel

F <sup>1)</sup> *	=	5.58	
Z <sup>1)</sup>	=	5.76	

#### Grooves

b	=	2.00	
N	=	6	
u	=	220.00	
Q	=	25.56	mm <sup>2</sup>

Notes: 1) Check for safety reasons  
3) Headspace on Shoulder  
\* Basic dimensions