

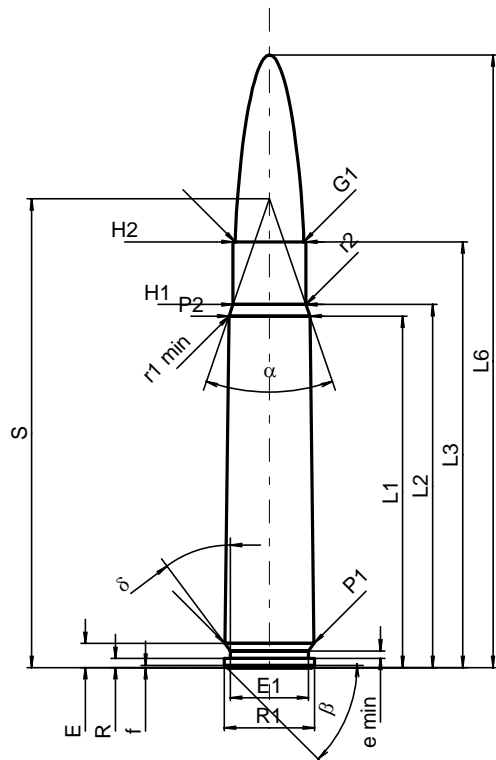
**C.I.P.****9 x 56 Mannl. Sch.**

Country of Origin: AT

TAB. I

Date 95-06-28

Revision 05-07-01

**CARTRIDGE MAXI****Lengths**

L1 <sup>1)*</sup>	=	46.48	-0.20
L2 <sup>1)*</sup>	=	48.00	-0.20
L3 <sup>1)</sup>	=	56.30	
L4	=		
L5	=		
L6	=	81.00	

**Case Head**

R	=	1.20	
R1	=	11.90	
R3	=		
E	=	3.20	
E1	=	10.30	
e min	=	1.00	
δ	=	36°52'12"	
f	=	0.30	
β	=	45°	

**Powder Chamber**

P1	=	11.80	
P2 <sup>1)*</sup>	=	10.70	-0.20

**Junction Cone**

α	=	38°06'33"	
S	=	61.97	
r1 min	=	0.50	
r2	=	0.50	

**Collar**

H1*	=	9.65	
H2 <sup>1)</sup>	=	9.65	

**Projectile**

G1 <sup>1)</sup>	=	9.08	
G2	=		
F	=		
L3+G <sup>1)</sup>	=	71.50	

**Pressures (Energies)****Method Transducer**

Pmax	=	2080 bar	
PK	=	2392 bar	
PE	=	2600 bar	
M	=	25.00	
EE	=	2815 Joule	

**Miscellaneous Dimensions**

Fe <sup>1)</sup>	=	0.15	
delta L	=		

**CHAMBER MINI****Lengths**

L1*	=	46.41	
L2*	=	47.93	
L3 <sup>1)</sup>	=	56.80	

**Breech**

R	=	1.20	
R1	=	11.95	
R2	=		
R3	=		
r	=		

**Powder Chamber**

E	=	3.20	
P1 <sup>1)</sup>	=	11.85	
P2*	=	10.75	

**Junction Cone**

α <sup>1)</sup>	=	38°06'33"	
S	=	61.97	
r1 max	=	0.50	
r2	=	0.50	

**Collar**

H1*	=	9.70	
H2 <sup>1)</sup>	=	9.68	

**Commencement of Rifling**

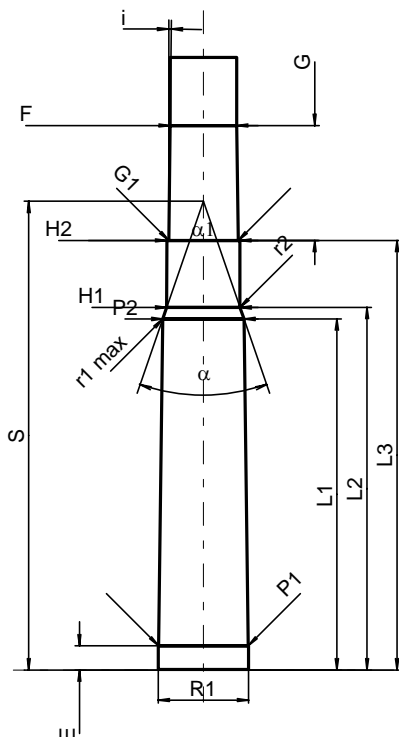
G1 <sup>1)*</sup>	=	9.18	
G <sup>1)*</sup>	=	15.20	
α1	=	180°	
h	=		
s	=		
i <sup>1)</sup>	=	0°42'58"	
w	=		

**Barrel**

F <sup>1)*</sup>	=	8.80	
Z <sup>1)</sup>	=	9.15	

**Grooves**

b	=	4.40	
N	=	4	
u	=	280.00	
Q	=	64.04	mm <sup>2</sup>



Scale 1:1

Dimensions in << mm >>  
Dimensions and Tolerances for Proof Barrels  
see Appendix CR 1.

Notes: 1) Check for safety reasons  
\* Basic dimensions