

# C.I.P.

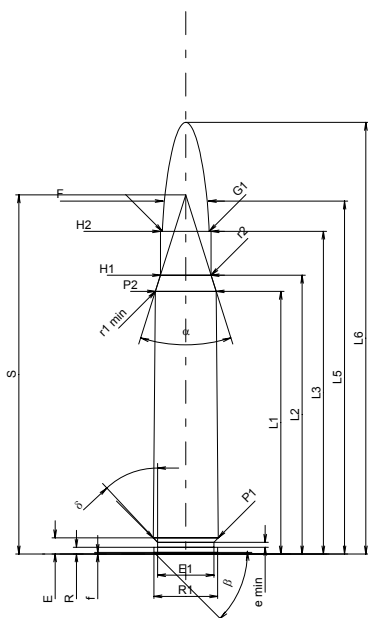
## 9,3 x 64 Brenneke

Country of Origin: DE

TAB. I

Date 84-06-14

Revision 02-05-15



### CARTRIDGE MAXI

#### Lengths

L1 <sup>1)</sup>	=	52.09	-0.20
L2 <sup>1)</sup>	=	55.28	-0.20
L3 <sup>1)</sup>	=	64.00	
L4	=		
L5	=	70.00	
L6	=	85.60	

#### Case Head

R	=	1.30	
R1	=	12.60	
R3	=		
E	=	3.20	
E1	=	11.20	
e min	=	1.00	
δ	=	43°	
f	=	0.30	
β	=	45°	

#### Powder Chamber

P1	=	12.88	
P2 <sup>1)</sup> *	=	12.05	-0.20

#### Junction Cone

α	=	34°58'26"	
S	=	71.21	
r1 min	=	0.50	
r2	=	0.50	

#### Collar

H1*	=	10.04	
H2 <sup>1)</sup>	=	10.04	

#### Projectile

G1 <sup>1)</sup>	=	9.30	
G2	=	9.25	
F	=		
L3+G <sup>1)</sup>	=	92.00	

#### Pressures (Energies)

##### Method Transducer

Pmax	=	4400 bar	
PK	=	5060 bar	
PE	=	5500 bar	
M	=	25.00	
EE	=	5335 Joule	

#### Miscellaneous Dimensions

Fe <sup>1)</sup>	=	0.10	
delta L	=		

### CHAMBER MINI

#### Lengths

L1*	=	52.04	
L2*	=	55.23	
L3 <sup>1)</sup>	=	64.30	

#### Breech

R	=	1.30	
R1	=	12.65	
R2	=		
R3	=		
r	=		

#### Powder Chamber

E	=	3.20	
P1 <sup>1)</sup>	=	12.91	
P2*	=	12.08	

#### Junction Cone

α <sup>1)</sup>	=	34°58'26"	
S	=	71.21	
r1 max	=	0.50	
r2	=	0.50	

#### Collar

H1*	=	10.07	
H2 <sup>1)</sup>	=	10.06	

#### Commencement of Rifling

G1 <sup>1)</sup> *	=	9.35	
G <sup>1)</sup> *	=	28.00	
α1	=	180°	
h	=		
s	=		
i <sup>1)</sup>	=	0°21'29"	
w	=		

#### Barrel

F <sup>1)</sup> *	=	9.00	
Z <sup>1)</sup>	=	9.28	

#### Grooves

b	=	4.60	
N	=	4	
u	=	360.00	
Q	=	66.32	mm <sup>2</sup>

Scale 1:1.5

Dimensions in << mm >>  
Dimensions and Tolerances for Proof Barrels  
see Appendix CR 1.

Notes: 1) Check for safety reasons  
\* Basic dimensions