

C.I.P.

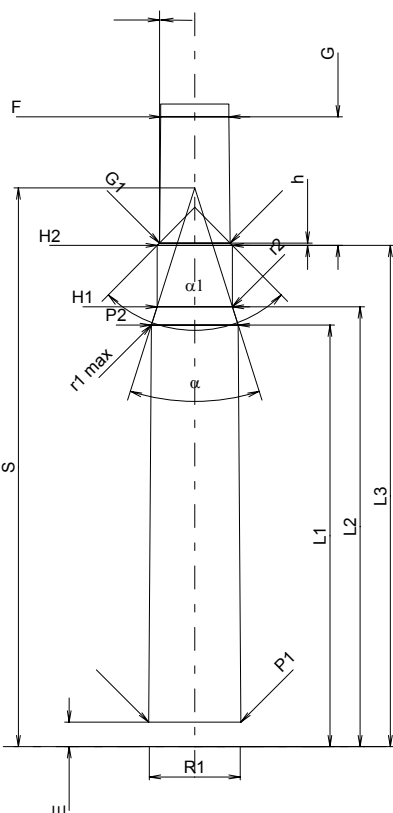
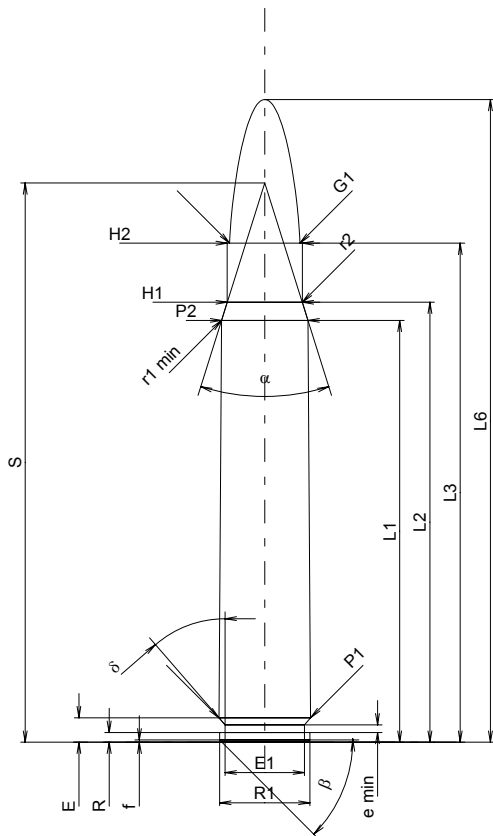
9,3 x 66 Sako

Country of Origin: FI

TAB. I

Date 02-01-22

Revision 02-05-15



Scale 1:1

Dimensions in << mm >>
Dimensions and Tolerances for Proof Barrels
see Appendix CR 1.

CARTRIDGE MAXI

Lengths

L1 ¹⁾ *	=	55.80	-0.20
L2 ¹⁾ *	=	58.20	-0.20
L3 ¹⁾	=	66.00	
L4	=		
L5	=		
L6	=	85.00	

Case Head

R	=	1.30	
R1	=	11.95	
R3	=		
E	=	3.24	
E1	=	10.50	
e min	=	1.00	
delta	=	41°	
f	=	0.30	
beta	=	45°	

Powder Chamber

P1	=	12.13	
P2 ¹⁾ *	=	11.43	-0.20

Junction Cone

alpha	=	34°55'31"	
S	=	73.97	
r1 min	=	0.50	
r2	=	0.50	

Collar

H1 *	=	9.92	
H2 ¹⁾	=	9.92	

Projectile

G1 ¹⁾	=	9.30	
G2	=		
F	=		
L3+G ¹⁾	=	83.01	

Pressures (Energies)

Method Transducer

Pmax	=	4150 bar	
PK	=	4773 bar	
PE	=	5188 bar	
M	=	25.00	
EE	=	6000 Joule	

Miscellaneous Dimensions

Fe ¹⁾	=	0.10	
delta L	=		

CHAMBER MINI

Lengths

L1 *	=	55.75	
L2 *	=	58.17	
L3 ¹⁾	=	66.30	

Breech

R	=		
R1	=	12.00	
R2	=		
R3	=		
r	=		

Powder Chamber

E	=	3.24	
P1 ¹⁾	=	12.18	
P2 *	=	11.48	

Junction Cone

alpha ¹⁾	=	35°05'06"	
S	=	73.91	
r1 max	=	0.50	
r2	=	0.50	

Collar

H1 *	=	9.95	
H2 ¹⁾	=	9.94	

Commencement of Rifling

G1 ¹⁾ *	=	9.35	
G ¹⁾ *	=	17.01	
alpha1	=	89°02'12"	
h *	=	0.30	
s	=		
i ¹⁾	=	0°36'	
w	=		

Barrel

F ¹⁾ *	=	9.00	
Z ¹⁾	=	9.28	

Grooves

b	=	3.14	
N	=	6	
u	=	360.00	
Q	=	66.31	mm ²

Notes: 1) Check for safety reasons
* Basic dimensions