

C.I.P.

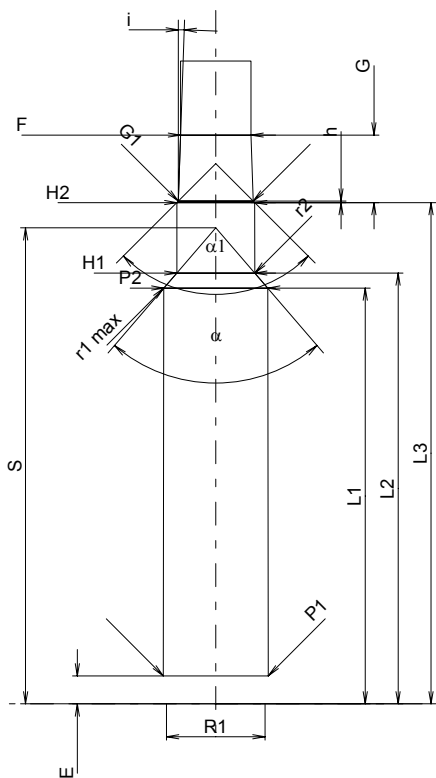
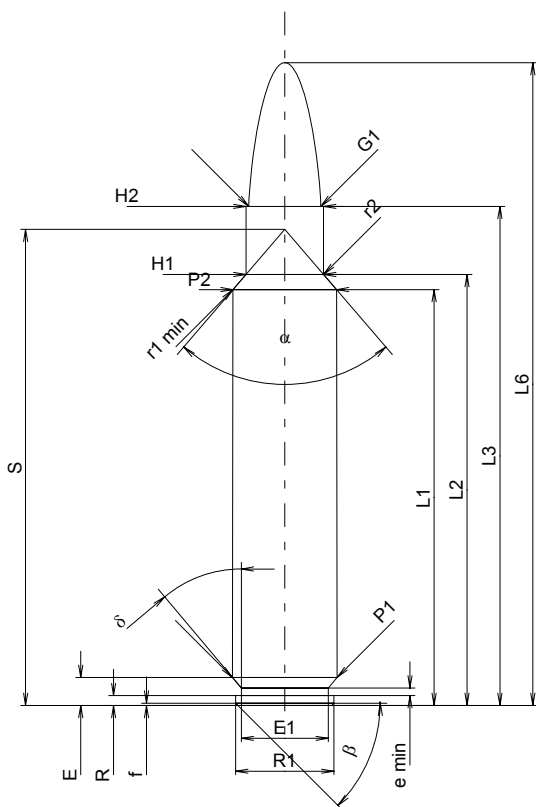
9,5 x 66 SE v. H.

Country of Origin: DE

TAB. I

Date 96-05-24

Revision 02-05-15



Scale 1:1

CARTRIDGE MAXI

Lengths

L1 ¹⁾	=	55.00	-0.20
L2 ¹⁾	=	57.00	-0.20
L3 ¹⁾	=	66.00	
L4	=		
L5	=		
L6	=	85.00	

Case Head

R	=	1.30	
R1	=	13.00	
R3	=		
E	=	3.70	
E1	=	11.50	
e min	=	1.00	
delta	=	40°	
f	=	0.30	
beta	=	45°	

Powder Chamber

P1	=	13.85	
P2 ¹⁾ *	=	13.70	-0.20

Junction Cone

alpha	=	81°23'28"	
S	=	62.97	
r1 min	=	0.50	
r2	=	1.00	

Collar

H1*	=	10.26	
H2 ¹⁾	=	10.26	

Projectile

G1 ¹⁾	=	9.55	
G2	=		
F	=		
L3+G ¹⁾	=	74.92	

Pressures (Energies)

Method Transducer

Pmax	=	4400 bar	
PK	=	5060 bar	
PE	=	5500 bar	
M	=	25.00	
EE	=	6080 Joule	

Miscellaneous Dimensions

Fe ¹⁾	=	0.10	
delta L	=		

CHAMBER MINI

Lengths

L1*	=	54.99	
L2*	=	56.98	
L3 ¹⁾	=	66.30	

Breech

R	=	1.30	
R1	=	13.05	
R2	=		
R3	=		
r	=		

Powder Chamber

E	=	3.70	
P1 ¹⁾	=	13.88	
P2*	=	13.73	

Junction Cone

alpha ¹⁾	=	81°30'36"	
S	=	62.96	
r1 max	=	0.50	
r2	=	1.00	

Collar

H1*	=	10.30	
H2 ¹⁾	=	10.29	

Commencement of Rifling

G1 ¹⁾ *	=	9.91	
G ¹⁾ *	=	8.92	
alpha1	=	90°	
h*	=	0.19	
s	=		
i ¹⁾	=	2°00'02"	
w	=		

Barrel

F ¹⁾ *	=	9.30	
Z ¹⁾	=	9.55	

Grooves

b	=	2.92	
N	=	6	
u	=	305.00	
Q	=	70.16	mm ²

Dimensions in << mm >>
Dimensions and Tolerances for Proof Barrels
see Appendix CR 1.

Notes: 1) Check for safety reasons
* Basic dimensions