

C.I.P.

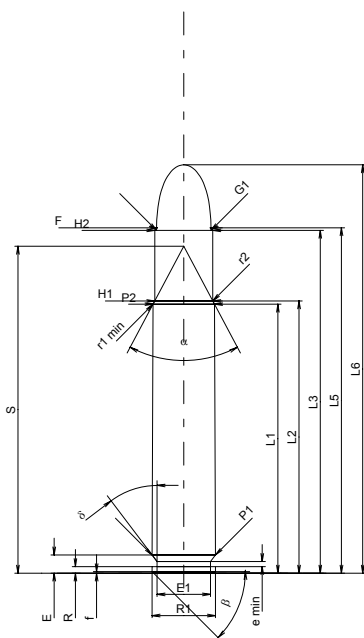
10,75 x 68

TAB. I

Date 84-06-14

Country of Origin: DE

Revision 02-05-15



CARTRIDGE MAXI

Lengths

L1 ¹⁾ *	=	53.35	-0.20
L2 ¹⁾ *	=	54.00	-0.20
L3 ¹⁾	=	68.00	
L4	=		
L5	=	68.50	
L6	=	81.00	

Case Head

R	=	1.30	
R1	=	12.57	
R3	=		
E	=	3.60	
E1	=	10.60	
e min	=	1.00	
delta	=	37°06'36"	
f	=	0.30	
beta	=	45°	

Powder Chamber

P1	=	12.57	
P2 ¹⁾ *	=	12.20	-0.20

Junction Cone

alpha	=	55°54'58"	
S	=	64.84	
r1 min	=	0.50	
r2	=	0.50	

Collar

H1 *	=	11.51	
H2 ¹⁾	=	11.51	

Projectile

G1 ¹⁾	=	10.78	
G2	=	10.78	
F	=		
L3+G ¹⁾	=	98.00	

Pressures (Energies)

Method Transducer

Pmax	=	3300 bar	
PK	=	3795 bar	
PE	=	4125 bar	
M	=	25.00	
EE	=	5040 Joule	

Miscellaneous Dimensions

Fe ¹⁾	=	0.15	
delta L	=		

CHAMBER MINI

Lengths

L1 *	=	53.32	
L2 *	=	53.97	
L3 ¹⁾	=	68.30	

Breech

R	=	1.30	
R1	=	12.62	
R2	=		
R3	=		
r	=		

Powder Chamber

E	=	3.60	
P1 ¹⁾	=	12.60	
P2 *	=	12.23	

Junction Cone

alpha ¹⁾	=	55°54'57"	
S	=	64.84	
r1 max	=	0.50	
r2	=	0.50	

Collar

H1 *	=	11.54	
H2 ¹⁾	=	11.52	

Commencement of Rifling

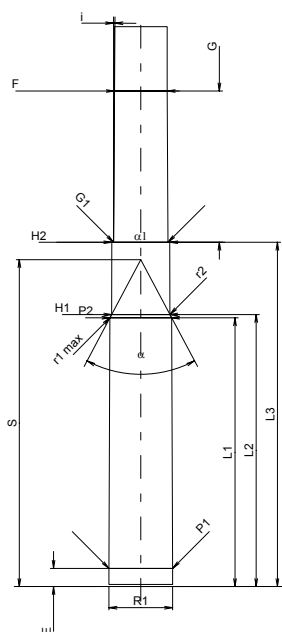
G1 ¹⁾ *	=	10.82	
G ¹⁾ *	=	30.00	
alpha1	=	180°	
h	=		
s	=		
i ¹⁾	=	0°21'11"	
w	=		

Barrel

F ¹⁾ *	=	10.45	
Z ¹⁾	=	10.75	

Grooves

b	=	3.60	
N	=	6	
u	=	420.00	
Q	=	89.07	mm ²



Scale 1:1.5

Dimensions in << mm >>
Dimensions and Tolerances for Proof Barrels
see Appendix CR 1.

Notes: 1) Check for safety reasons
* Basic dimensions