

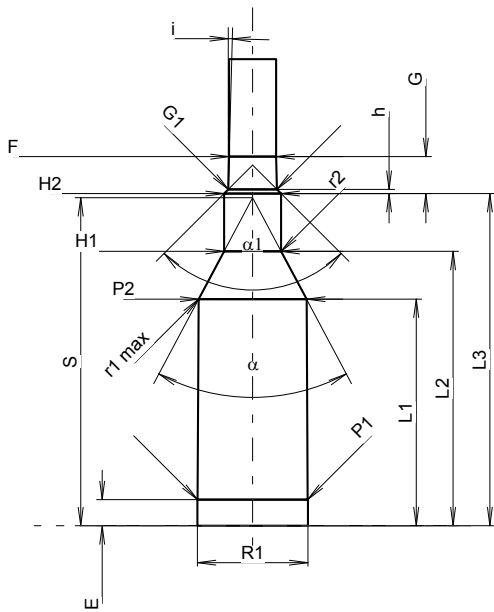
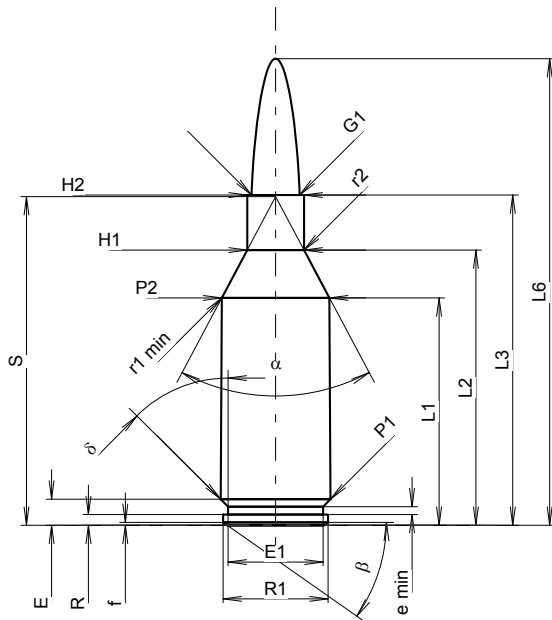
C.I.P.**243 Win. Super Short Mag.**

Country of Origin: US

TAB. I

Date 03-11-07

Revision 08-09-23



Scale 1.03:1

Dimensions in << mm >>
Dimensions and Tolerances for Proof Barrels
see Appendix CR 1.

CARTRIDGE MAXI**Lengths**

L1 ¹⁾	=	29.21	-0.20
L2 ¹⁾	=	35.35	-0.20
L3 ¹⁾	=	42.42	
L4	=		
L5	=		
L6	=	59.94	

Case Head

R	=	1.37	
R1	=	13.49	
R3	=		
E	=	3.35	
E1	=	12.19	
e min	=	1.02	
delta	=	45°	
f	=	0.36	
beta	=	35°	

Powder Chamber

P1	=	14.12	
P2 ¹⁾ *	=	13.82	-0.20

Junction Cone

alpha *	=	56°	
S *	=	42.21	
r1 min	=	1.27	
r2	=	3.30	

Collar

H1 *	=	7.29	
H2 ¹⁾	=	7.29	

Projectile

G1 ¹⁾	=	6.17	
G2	=		
F	=		
L3+G ¹⁾	=	47.16	

Pressures (Energies)**Method Transducer**

Pmax	=	4400 bar	
PK	=	5060 bar	
PE	=	5500 bar	
M	=	25.00	
EE	=	3150 Joule	

Miscellaneous Dimensions

Fe ³⁾	=	0.10	
delta L	=	0.08	

CHAMBER MINI**Lengths**

L1	=	29.11	
L2	=	35.25	
L3 ¹⁾	=	42.67	

Breech

R	=		
R1	=	14.20	
R2	=		
R3	=		
r	=		

Powder Chamber

E	=	3.35	
P1 ¹⁾	=	14.15	
P2 *	=	13.87	

Junction Cone

alpha ¹⁾ *	=	56°	
S *	=	42.15	
r1 max	=	1.27	
r2	=	4.06	

Collar

H1 *	=	7.34	
H2 ¹⁾	=	7.32	

Commencement of Rifling

G1 ¹⁾ *	=	6.24	
G ¹⁾	=	4.74	
alpha 1 *	=	90°	
h	=	0.54	
s	=		
i ¹⁾ *	=	1°30'	
w	=		

Barrel

F ¹⁾ *	=	6.02	
Z ¹⁾	=	6.17	

Grooves

b	=	2.54	
N	=	4	
u	=	254.00	
Q	=	29.25	mm ²

Notes: 1) Check for safety reasons
3) Headspace on Shoulder
* Basic dimensions