

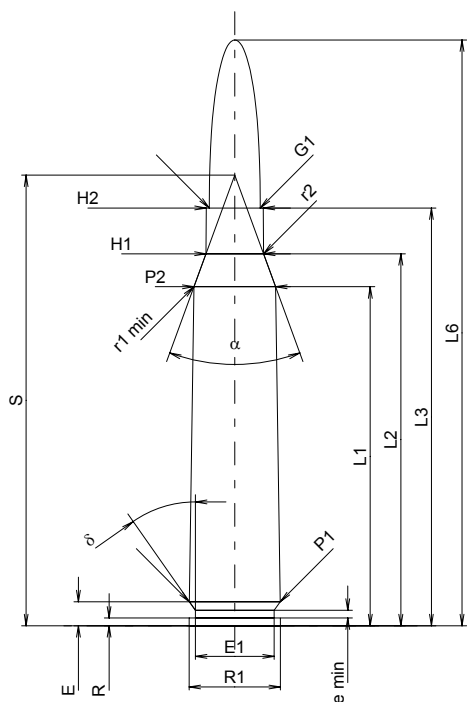
C.I.P.**256 Mag. Gibbs**

TAB. I

Date 84-06-14

Revision 02-05-15

Country of Origin: GB

**CARTRIDGE MAXI****Lengths**

L1 ¹⁾	=	44.83	-0.20
L2 ¹⁾	=	49.20	-0.20
L3 ¹⁾	=	55.25	
L4	=		
L5	=		
L6	=	77.47	

Case Head

R	=	1.02	
R1	=	12.09	
R3	=		
E	=	3.18	
E1	=	10.41	
e min	=	1.02	
delta	=	35°03'36"	
f	=		
beta	=		

Powder Chamber

P1	=	12.01	
P2 ¹⁾ *	=	10.82	-0.20

Junction Cone

alpha	=	40°13'07"	
S	=	59.61	
r1 min	=	7.11	
r2	=	5.08	

Collar

H1*	=	7.62	
H2 ¹⁾	=	7.52	

Projectile

G1 ¹⁾	=	6.73	
G2	=		
F	=		
L3+G ¹⁾	=	60.23	

Pressures (Energies)**Method Transducer**

Pmax	=	3400 bar	
PK	=	3910 bar	
PE	=	4250 bar	
M	=	25.00	
EE	=	2645 Joule	

Miscellaneous Dimensions

Fe ¹⁾	=	0.15	
delta L	=		

CHAMBER MINI**Lengths**

L1*	=	44.78	
L2*	=	49.20	
L3 ¹⁾	=	55.55	

Breech

R	=	1.02	
R1	=	12.14	
R2	=		
R3	=		
r	=		

Powder Chamber

E	=	3.18	
P1 ¹⁾	=	12.04	
P2*	=	10.87	

Junction Cone

alpha ¹⁾	=	40°01'44"	
S	=	59.70	
r1 max	=		
r2	=		

Collar

H1*	=	7.65	
H2 ¹⁾	=	7.54	

Commencement of Rifling

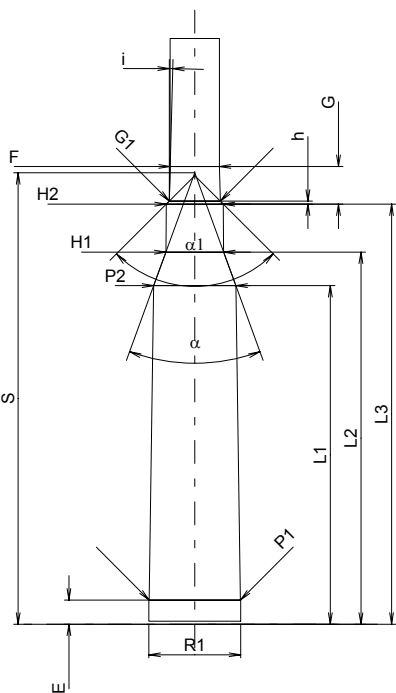
G1 ¹⁾ *	=	6.74	
G ¹⁾ *	=	4.98	
alpha1	=	90°	
h*	=	0.40	
s	=		
i ¹⁾	=	1°30'02"	
w	=		

Barrel

F ¹⁾ *	=	6.50	
Z ¹⁾	=	6.72	

Grooves

b	=		
N	=		
u	=		
Q	=	33.18	mm ²



Scale 1:1

Dimensions in << mm >>
Dimensions and Tolerances for Proof Barrels
see Appendix CR 1.

Notes: 1) Check for safety reasons
* Basic dimensions