

# C.I.P.

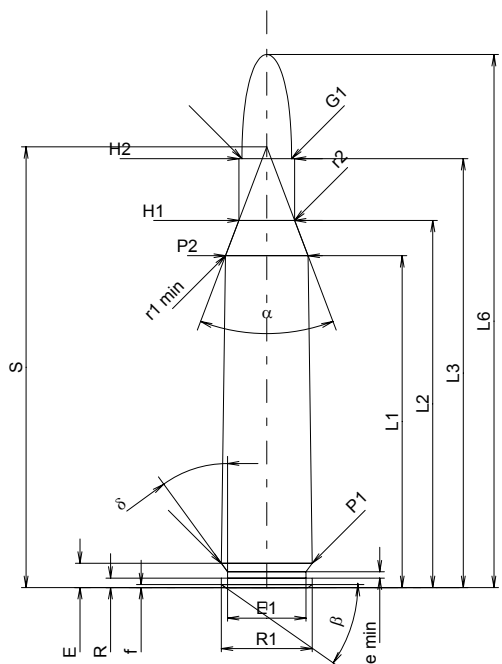
## 257 Roberts

TAB. I

Date 84-06-14

Country of Origin: US

Revision 02-05-15



### CARTRIDGE MAXI

#### Lengths

L1 <sup>1)</sup>	=	43.88	-0.20
L2 <sup>1)</sup>	=	48.55	-0.20
L3 <sup>1)</sup>	=	56.72	
L4	=		
L5	=		
L6	=	70.49	

#### Case Head

R	=	1.24	
R1	=	12.01	
R3	=		
E	=	3.20	
E1	=	10.39	
e min	=	0.84	
δ	=	36°	
f	=	0.38	
β	=	35°	

#### Powder Chamber

P1	=	12.02	
P2 <sup>1)*</sup>	=	10.91	-0.20

#### Junction Cone

α <sup>*</sup>	=	41°30'	
S <sup>*</sup>	=	58.28	
r1 min	=	0.76	
r2	=	2.54	

#### Collar

H1 <sup>*</sup>	=	7.37	
H2 <sup>1)</sup>	=	7.37	

#### Projectile

G1 <sup>1)</sup>	=	6.55	
G2	=		
F	=		
L3+G <sup>1)</sup>	=	59.85	

#### Pressures (Energies)

##### Method Transducer

Pmax	=	3550 bar	
PK	=	4083 bar	
PE	=	4440 bar	
M	=	25.00	
EE	=	2850 Joule	

#### Miscellaneous Dimensions

Fe <sup>1)</sup>	=	0.15	
delta L	=	0.15	

### CHAMBER MINI

#### Lengths

L1	=	43.66	
L2	=	48.36	
L3 <sup>1)</sup>	=	57.25	

#### Breech

R	=		
R1	=	12.13	
R2	=		
R3	=		
r	=		

#### Powder Chamber

E	=	3.20	
P1 <sup>1)</sup>	=	12.04	
P2 <sup>*</sup>	=	10.96	

#### Junction Cone

α <sup>1)*</sup>	=	41°18'	
S <sup>*</sup>	=	58.20	
r1 max	=	0.76	
r2	=	3.18	

#### Collar

H1 <sup>*</sup>	=	7.42	
H2 <sup>1)</sup>	=	7.39	

#### Commencement of Rifling

G1 <sup>1)*</sup>	=	6.63	
G <sup>1)</sup>	=	3.13	
α1 <sup>*</sup>	=	90°	
h	=	0.38	
s	=		
i <sup>1)*</sup>	=	2°55'	
w	=		

#### Barrel

F <sup>1)*</sup>	=	6.35	
Z <sup>1)</sup>	=	6.50	

#### Grooves

b	=	2.41	
N	=	6	
u	=	254.00	
Q	=	32.78	mm <sup>2</sup>

Scale 1:1

Dimensions in << mm >>  
Dimensions and Tolerances for Proof Barrels  
see Appendix CR 1.

Notes: 1) Check for safety reasons  
\* Basic dimensions