

**C.I.P.****264 Leroy N.E.**

TAB.

I

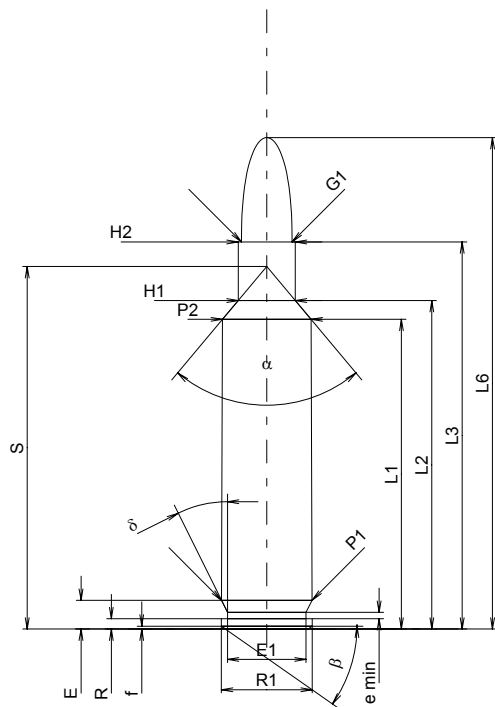
Date

94-03-01

Revision

02-05-15

Country of Origin: DE

**CARTRIDGE MAXI****Lengths**

L1 <sup>1)</sup> *	=	40.96	-0.20
L2 <sup>1)</sup> *	=	43.45	-0.20
L3 <sup>1)</sup>	=	51.20	
L4	=		
L5	=		
L6	=	65.00	

**Case Head**

R	=	1.37	
R1	=	12.01	
R3	=		
E	=	3.80	
E1	=	10.39	
e min	=	0.84	
delta	=	36°	
f	=	0.38	
beta	=	35°	

**Powder Chamber**

P1	=	11.97	
P2 <sup>1)</sup> *	=	11.72	-0.20

**Junction Cone**

alpha	=	80°01'02"	
S	=	47.94	
r1 min	=		
r2	=		

**Collar**

H1 *	=	7.54	
H2 <sup>1)</sup>	=	7.54	

**Projectile**

G1 <sup>1)</sup>	=	6.70	
G2	=		
F	=		
L3+G <sup>1)</sup>	=	66.16	

**Pressures (Energies)****Method Transducer**

Pmax	=	4400 bar	
PK	=	5060 bar	
PE	=	5500 bar	
M	=	25.00	
EE	=	3675 Joule	

**Miscellaneous Dimensions**

Fe <sup>1)</sup>	=	0.10	
delta L	=		

**CHAMBER MINI****Lengths**

L1 *	=	40.93	
L2 *	=	43.42	
L3 <sup>1)</sup>	=	51.40	

**Breech**

R	=	1.37	
R1	=	12.05	
R2	=		
R3	=		
r	=		

**Powder Chamber**

E	=	3.80	
P1 <sup>1)</sup>	=	12.00	
P2 *	=	11.75	

**Junction Cone**

alpha <sup>1)</sup>	=	80°09'07"	
S	=	47.91	
r1 max	=		
r2	=		

**Collar**

H1 *	=	7.56	
H2 <sup>1)</sup>	=	7.56	

**Commencement of Rifling**

G1 <sup>1)</sup> *	=	6.71	
G <sup>1)</sup> *	=	14.96	
alpha1	=	180°	
h	=		
s *	=	10.00	
i <sup>1)</sup>	=	1°30'05"	
w	=		

**Barrel**

F <sup>1)</sup> *	=	6.45	
Z <sup>1)</sup>	=	6.70	

**Grooves**

b	=	1.30	
N	=	4	
u	=	200.00	
Q	=	33.33	mm <sup>2</sup>

Scale 1:1

Dimensions in << mm >>  
Dimensions and Tolerances for Proof Barrels  
see Appendix CR 1.

Notes: 1) Check for safety reasons  
\* Basic dimensions