

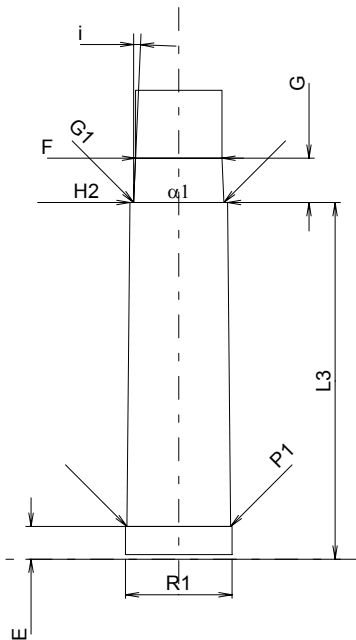
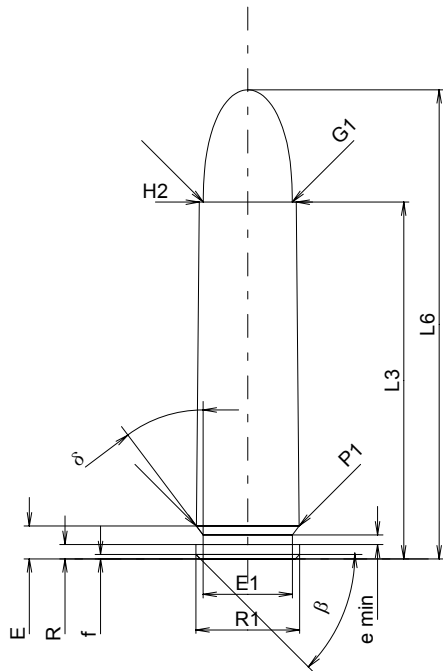
C.I.P.**30 Court**

TAB. I

Date 91-05-17

Pays d'origine: DE

Révision 02-05-15

**CARTOUCHE MAXI****Longueurs**

L1	=		
L2	=		
L3 ¹⁾	=	31.45	-0.25
L4	=		
L5	=		
L6	=	41.35	

Culot

R	=	1.27	
R1	=	9.14	
R3	=		
E	=	2.90	
E1	=	7.87	
e min	=	0.84	
delta	=	37°	
f	=	0.38	
beta	=	45°	

Chambre à poudre

P1	=	9.06	
P2	=		

Cône de raccordement

alpha	=		
S	=		
r1 min	=		
r2	=		

Collet

H1	=		
H2 ¹⁾	=	8.55	

Projectile

G1 ¹⁾	=	7.85	
G2	=		
F	=		
L3+G ¹⁾	=	35.36	

Pressions (Énergies)**Méthode transducteur**

Pmax	=	3650 bar	
PK	=	4198 bar	
PE	=	4560 bar	
M	=	17.50	
EE	=	1470 Joule	

Autres indications

Fe ¹⁾	=	0.15	
delta L	=		

CHAMBRE MINI**Longueurs**

L1	=		
L2	=		
L3 ¹⁾	=	31.45	

Cuvette

R	=	1.27	
R1	=	9.40	
R2	=		
R3	=		
r	=		

Chambre à poudre

E	=	2.90	
P1 ¹⁾	=	9.13	
P2	=		

Cône de raccordement

alpha	=		
S	=		
r1 max	=		
r2	=		

Collet

H1	=		
H2 ¹⁾	=	8.60	

Prise de rayures

G1 ^{1)*}	=	7.96	
G ^{1)*}	=	3.91	
alpha1	=	180°	
h	=		
s	=		
i ¹⁾	=	2°29'21"	
w	=		

Canon

F ^{1)*}	=	7.62	
Z ¹⁾	=	7.82	

Rayures

b	=	4.24	
N	=	4	
u	=	508.00	
Q	=	47.40	mm ²

Échelle 1.5:1

Dimensions en << mm >>
Dimensions et tolérances pour les canons
d'épreuve: Voyez Annexe CR 1.

Notes: 1) A' contrôler pour la sécurité
* Dimensions de base