

C.I.P.**375 Hölderlin**

TAB.

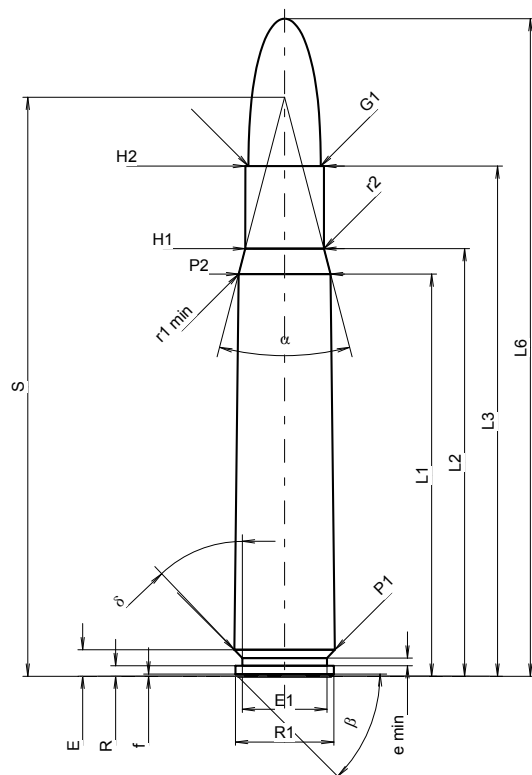
I

Date

07-05-14

Pays d'origine: DE

Révision

**CARTOUCHE MAXI****Longueurs**

L1 ¹⁾	=	53.20	-0.20
L2 ¹⁾	=	56.57	-0.20
L3 ¹⁾	=	67.50	
L4	=		
L5	=		
L6	=	87.00	

Culot

R	=	1.40	
R1	=	13.00	
R3	=		
E	=	3.50	
E1	=	11.20	
e min	=	1.00	
delta	=	43°40'12"	
f	=	0.30	
beta	=	45°	

Chambre à poudre

P1	=	13.30	
P2 ¹⁾ *	=	12.15	-0.20

Cône de raccordement

alpha [*]	=	29°05'34"	
S [*]	=	76.60	
r1 min	=	0.50	
r2	=	0.50	

Collet

H1 [*]	=	10.40	
H2 ¹⁾	=	10.39	

Projectile

G1 ¹⁾	=	9.55	
G2	=		
F	=		
L3+G ¹⁾	=	74.22	

Pressions (Énergies)**Méthode transducteur**

Pmax	=	3800 bar	
PK	=	4370 bar	
PE	=	4750 bar	
M	=	25.00	
EE	=	6800 Joule	

Autres indications

Fe ¹⁾³⁾	=	0.10	
delta L	=		

CHAMBRE MINI**Longueurs**

L1	=	53.14	
L2	=	56.51	
L3 ¹⁾	=	67.80	

Cuvette

R	=	1.40	
R1	=	13.05	
R2	=		
R3	=		
r	=		

Chambre à poudre

E	=	3.50	
P1 ¹⁾	=	13.33	
P2 [*]	=	12.18	

Cône de raccordement

alpha ¹⁾ *	=	29°05'34"	
S [*]	=	76.61	
r1 max	=	0.50	
r2	=	0.50	

Collet

H1 [*]	=	10.43	
H2 ¹⁾	=	10.42	

Prise de rayures

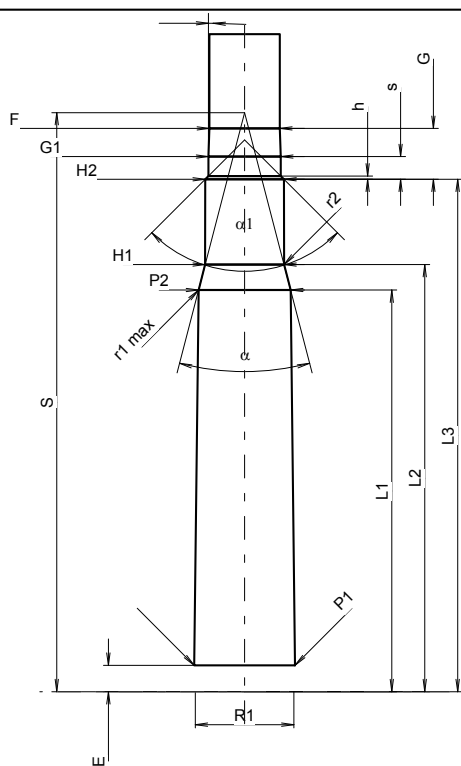
G1 ¹⁾ *	=	9.56	
G ¹⁾	=	6.72	
alpha1 [*]	=	90°	
h	=	0.43	
s [*]	=	3.00	
i ¹⁾	=	2°	
w	=		

Canon

F ¹⁾ *	=	9.30	
Z ¹⁾	=	9.55	

Rayures

b	=	2.92	
N	=	6	
u	=	305.00	
Q	=	70.16	mm ²



Échelle 1:1

Dimensions en << mm >>
Dimensions et tolérances pour les canons
d'épreuve: Voyez Annexe CR 1.

Notes: 1) A' contrôler pour la sécurité
3) Feuillure sur la cone de raccordement
* Dimensions de base