

C.I.P.**416 Ruger**

TAB.

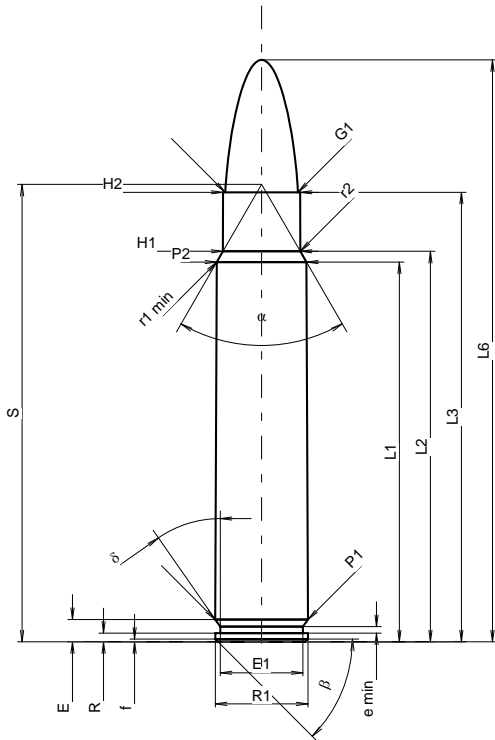
I

Date

10-05-26

Pays d'origine: US

Révision

**CARTOUCHE MAXI****Longueurs**

L1 ¹⁾	=	55.37	-0.20
L2 ¹⁾	=	56.93	-0.20
L3 ¹⁾	=	65.53	
L4	=		
L5	=		
L6	=	84.84	

Culot

R	=	1.27	
R1	=	13.51	
R3	=		
E	=	3.25	
E1	=	12.07	
e min	=	0.94	
delta	=	35°	
f	=	0.38	
beta	=	45°	

Chambre à poudre

P1	=	13.52	
P2 ¹⁾ *	=	13.08	-0.20

Cône de raccordement

alpha [*]	=	60°	
S [*]	=	66.69	
r1 min	=	0.76	
r2	=	3.18	

Collet

H1 [*]	=	11.28	
H2 ¹⁾	=	11.25	

Projectile

G1 ¹⁾	=	10.58	
G2	=		
F	=		
L3+G ¹⁾	=	75.38	

Pressions (Énergies)**Méthode transducteur**

Pmax	=	4300 bar	
PK	=	4945 bar	
PE	=	5375 bar	
M	=	25.00	
EE	=	7275 Joule	

Autres indications

Fe ¹⁾³⁾	=	0.10	
delta L	=	0.12	

CHAMBRE MINI**Longueurs**

L1	=	55.23	
L2	=	56.79	
L3 ¹⁾	=	65.78	

Cuvette

R	=		
R1	=	13.58	
R2	=		
R3	=		
r	=		

Chambre à poudre

E	=	3.25	
P1 ¹⁾	=	13.54	
P2 [*]	=	13.10	

Cône de raccordement

alpha ¹⁾ *	=	60°	
S [*]	=	66.58	
r1 max	=	0.76	
r2	=	3.18	

Collet

H1 [*]	=	11.30	
H2 ¹⁾	=	11.28	

Prise de rayures

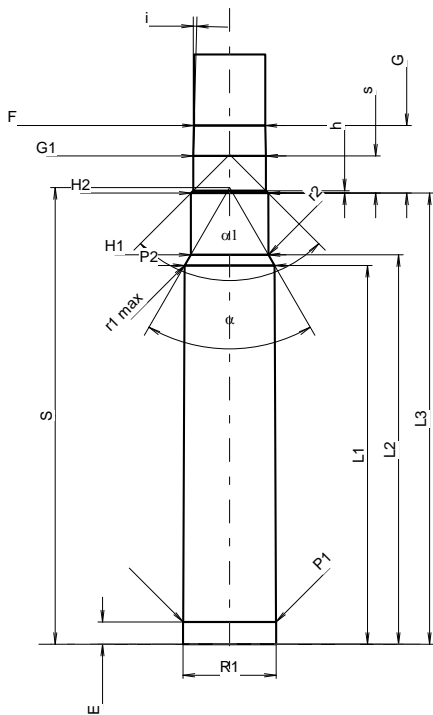
G1 ¹⁾ *	=	10.59	
G ¹⁾	=	9.85	
alpha l	=	90°	
h	=	0.34	
s [*]	=	5.42	
i ¹⁾ *	=	1°30'	
w	=		

Canon

F ¹⁾ *	=	10.36	
Z ¹⁾	=	10.57	

Rayures

b	=	3.25	
N	=	6	
u	=	356.00	
Q	=	86.38	mm ²



Échelle 1:1.1

Dimensions en << mm >>
Dimensions et tolérances pour les canons
d'épreuve: Voyez Annexe CR 1.

Notes: 1) A' contrôler pour la sécurité
3) Feuillure sur la cone de raccordement
* Dimensions de base