

C.I.P.**510 DTC**

TAB. I

Date 04-05-18

Pays d'origine: GB

Révision 04-09-27

CARTOUCHE MAXI**CHAMBRE MINI****Longueurs**

L1 ¹⁾ *	=	72.04	-0.20
L2 ¹⁾ *	=	79.48	-0.20
L3 ¹⁾	=	96.14	
L4	=		
L5	=		
L6	=	137.47	

Longueurs

L1 *	=	72.21
L2 *	=	79.73
L3 ¹⁾	=	96.52

Culot

R	=	2.26
R1	=	20.42
R3	=	
E	=	6.20
E1	=	17.27
e min	=	1.80
δ	=	36°
f	=	0.84
β	=	45°

Cuvette

R	=	2.26
R1	=	20.52
R2	=	
R3	=	
r	=	

Chambre à poudre

P1	=	20.38
P2 ¹⁾ *	=	19.28

Chambre à poudre

E	=	7.62
P1 ¹⁾	=	20.37
P2 *	=	19.31

Cône de raccordement

α	=	37°33'42"
S	=	100.39
r1 min	=	3.18
r2	=	5.08

Cône de raccordement

α ¹⁾	=	36°38'28"
S	=	101.37
r1 max	=	3.18
r2	=	6.35

Collet

H1 *	=	14.22
H2 ¹⁾	=	14.22

Collet

H1 *	=	14.33
H2 ¹⁾	=	14.28

Projectile

G1 ¹⁾	=	12.98
G2	=	
F	=	
L3+G ¹⁾	=	108.53

Prise de rayures

G1 ¹⁾ *	=	12.99
G ¹⁾ *	=	12.39
α1	=	29°57'59"
h	=	2.41
s *	=	5.72
i ¹⁾	=	1°25'01"
w	=	

Pressions (Énergies)**Méthode transducteur**

Pmax	=	3600 bar
PK	=	4140 bar
PE	=	4500 bar
M	=	25.00
EE	=	14870 Joule

Canon

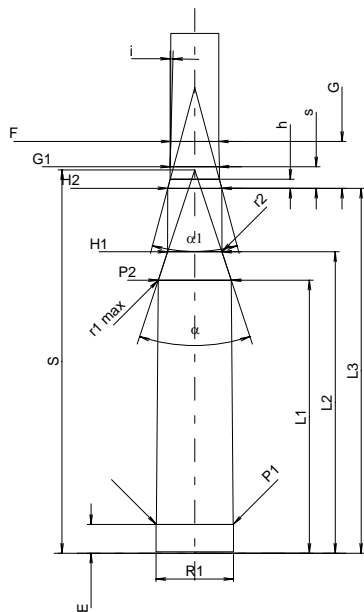
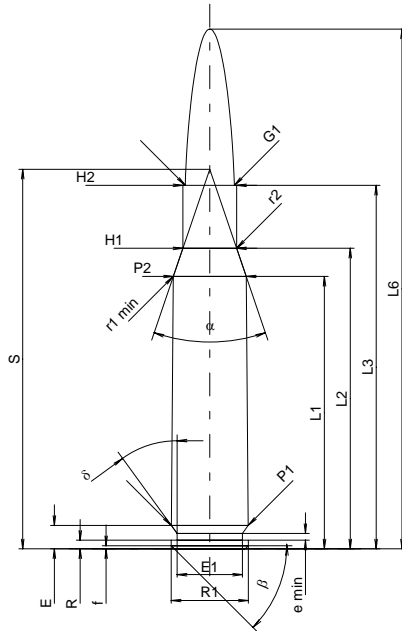
F ¹⁾ *	=	12.66
Z ¹⁾	=	12.93

Rayures

b	=	3.43
N	=	8
u	=	381.00
Q	=	129.63 mm ²

Autres indications

Fe	=	0.15
delta L	=	



Échelle 1:2

Dimensions en << mm >>
Dimensions et tolérances pour les canons
d'épreuve: Voyez Annexe CR 1.

Notes: 1) A' contrôler pour la sécurité
* Dimensions de base