

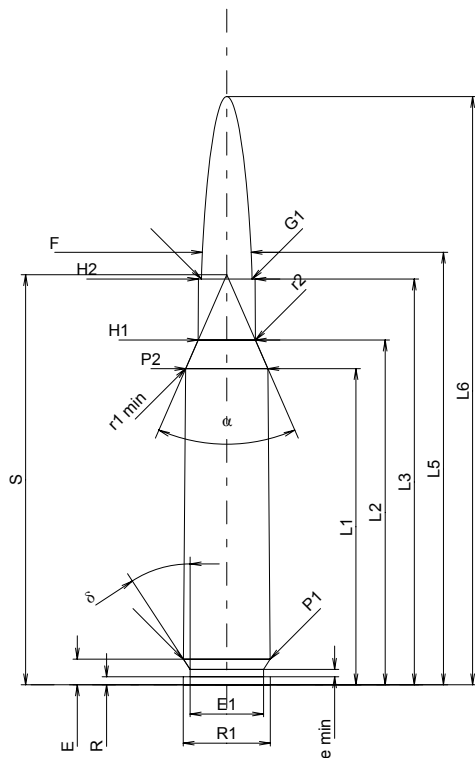
C.I.P.**6,5 x 54 Mannl. Sch.**

TAB. I

Date 84-06-14

Révision 02-05-15

Pays d'origine: AT

**CARTOUCHE MAXI****Longueurs**

L1 ¹⁾ *	=	41.82	-0.20
L2 ¹⁾ *	=	45.60	-0.20
L3 ¹⁾	=	53.65	
L4	=		
L5	=	57.20	
L6	=	77.80	

Culot

R	=	1.05	
R1	=	11.52	
R3	=		
E	=	3.40	
E1	=	9.70	
e min	=	1.00	
delta	=	33°15'	
f	=		
beta	=	45°	

Chambre à poudre

P1	=	11.47	
P2 ¹⁾ *	=	10.87	-0.20

Cône de raccordement

alpha	=	47°17'26"	
S	=	54.24	
r1 min	=	0.50	
r2	=	0.50	

Collet

H1 *	=	7.56	
H2 ¹⁾	=	7.49	

Projectile

G1 ¹⁾	=	6.70	
G2	=	6.70	
F	=		
L3+G ¹⁾	=	74.80	

Pressions (Énergies)**Méthode transducteur**

Pmax	=	3650 bar	
PK	=	4198 bar	
PE	=	4560 bar	
M	=	25.00	
EE	=	2430 Joule	

Autres indications

Fe ¹⁾	=	0.15	
delta L	=		

CHAMBRE MINI**Longueurs**

L1 *	=	41.82	
L2 *	=	45.60	
L3 ¹⁾	=	53.65	

Cuvette

R	=	1.05	
R1	=	11.57	
R2	=		
R3	=		
r	=		

Chambre à poudre

E	=	3.30	
P1 ¹⁾	=	11.52	
P2 *	=	10.92	

Cône de raccordement

alpha ¹⁾	=	47°16'58"	
S	=	54.29	
r1 max	=	0.50	
r2	=	0.50	

Collet

H1 *	=	7.61	
H2 ¹⁾	=	7.54	

Prise de rayures

G1 ¹⁾ *	=	6.90	
G ¹⁾ *	=	21.15	
alpha1	=	180°	
h	=		
s	=		
i ¹⁾	=	0°34'08"	
w	=		

Canon

F ¹⁾ *	=	6.48	
Z ¹⁾	=	6.78	

Rayures

b	=	3.50	
N	=	4	
u	=	200.00	
Q	=	35.16	mm ²

Échelle 1:1

Dimensions en << mm >>
Dimensions et tolérances pour les canons
d'épreuve: Voyez Annexe CR 1.

Notes: 1) A' contrôler pour la sécurité
* Dimensions de base