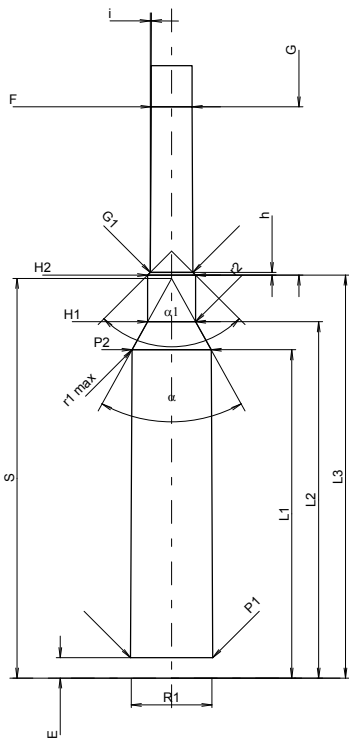
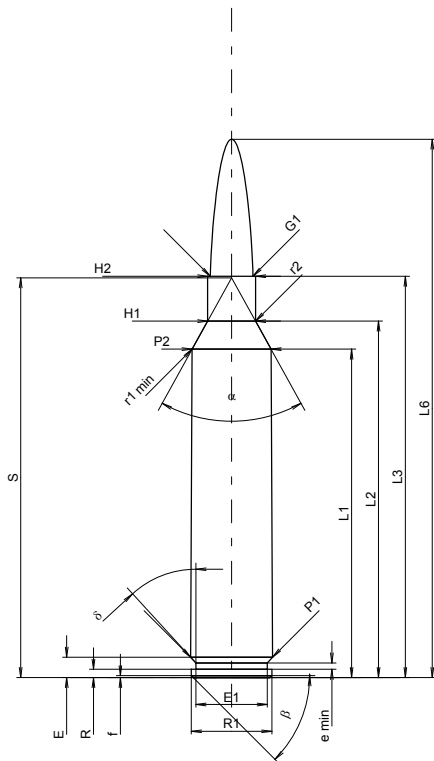


C.I.P.**6,5 x 63 Messner Mag.**

TAB.	I
Date	02-01-22
Révision	02-05-15

Pays d'origine: FR



Échelle 1:1.19

Dimensions en << mm >>
Dimensions et tolérances pour les canons
d'épreuve: Voyez Annexe CR 1.

CARTOUCHE MAXI**Longueurs**

L1 ¹⁾ *	=	51.55	-0.20
L2 ¹⁾ *	=	55.96	-0.20
L3 ¹⁾	=	63.00	
L4	=		
L5	=		
L6	=	84.50	

Culot

R	=	1.30	
R1	=	12.63	
R3	=		
E	=	3.20	
E1	=	11.20	
e min	=	1.00	
delta	=	43°	
f	=	0.30	
beta	=	45°	

Chambre à poudre

P1	=	12.85	
P2 ¹⁾ *	=	12.40	-0.20

Cône de raccordement

alpha	=	57°54'38"	
S	=	62.76	
r1 min	=	0.67	
r2	=	2.00	

Collet

H1 [*]	=	7.52	
H2 ¹⁾	=	7.52	

Projectile

G1 ¹⁾	=	6.71	
G2	=		
F	=		
L3+G ¹⁾	=	89.41	

Pressions (Énergies)**Méthode transducteur**

Pmax	=	4400 bar	
PK	=	5060 bar	
PE	=	5500 bar	
M	=	25.00	
EE	=	4200 Joule	

Autres indications

Fe ¹⁾	=	0.10	
delta L	=		

Notes: 1) A' contrôler pour la sécurité
* Dimensions de base

CHAMBRE MINI**Longueurs**

L1 [*]	=	51.53	
L2 [*]	=	55.93	
L3 ¹⁾	=	63.25	

Cuvette

R	=	1.30	
R1	=	12.65	
R2	=		
R3	=		
r	=		

Chambre à poudre

E	=	3.20	
P1 ¹⁾	=	12.88	
P2 [*]	=	12.43	

Cône de raccordement

alpha ¹⁾	=	58°01'15"	
S	=	62.74	
r1 max	=	0.34	
r2	=	2.00	

Collet

H1 [*]	=	7.55	
H2 ¹⁾	=	7.55	

Prise de rayures

G1 ¹⁾ *	=	6.71	
G ¹⁾ *	=	26.41	
alpha1	=	90°	
h [*]	=	0.42	
s	=		
i ¹⁾	=	0°17'12"	
w	=		

Canon

F ¹⁾ *	=	6.45	
Z ¹⁾	=	6.70	

Rayures

b	=	3.50	
N	=	4	
u	=	200.00	
Q	=	34.52	mm ²