

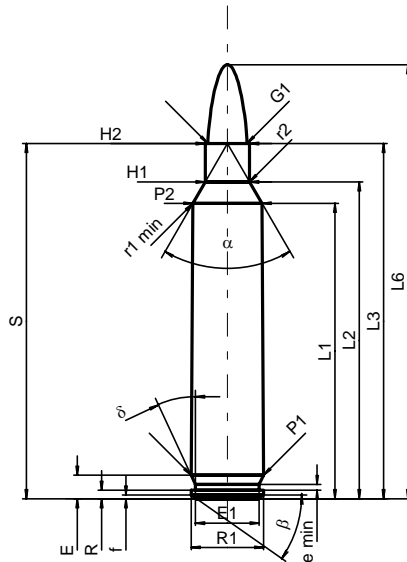
C.I.P.**204 Ruger**

TAB. I

Date 06-05-16

Pays d'origine: US

Révision

**CARTOUCHE MAXI****Longueurs**

L1 ¹⁾	=	39.08	-0.20
L2 ¹⁾	=	41.91	-0.20
L3 ¹⁾	=	46.99	
L4	=		
L5	=		
L6	=	57.40	

Culot

R	=	1.14	
R1	=	9.60	
R3	=		
E	=	3.11	
E1	=	8.43	
e min	=	0.76	
delta	=	25°	
f	=	0.48	
beta	=	35°	

Chambre à poudre

P1	=	9.56	
P2 ^{1)*}	=	9.14	-0.20

Cône de raccordement

alpha*	=	60°	
S*	=	46.99	
r1 min	=	0.64	
r2	=	2.54	

Collet

H1*	=	5.87	
H2 ¹⁾	=	5.87	

Projectile

G1 ^{1)*}	=	5.19	
G2	=		
F	=		
L3+G ¹⁾	=	51.98	

Pressions (Énergies)**Méthode transducteur**

Pmax	=	4050 bar	
PK	=	4658 bar	
PE	=	5063 bar	
M	=	25.00	
EE	=	1940 Joule	

Autres indications

Fe	=	0.10	
delta L	=		

CHAMBRE MINI**Longueurs**

L1	=	38.97	
L2	=	41.79	
L3 ¹⁾	=	47.31	

Cuvette

R	=		
R1	=	9.63	
R2	=		
R3	=		
r	=		

Chambre à poudre

E	=	3.11	
P1 ¹⁾	=	9.59	
P2*	=	9.16	

Cône de raccordement

alpha ^{1)*}	=	60°	
S*	=	46.92	
r1 max	=	0.64	
r2	=	3.18	

Collet

H1*	=	5.91	
H2 ¹⁾	=	5.89	

Prise de rayures

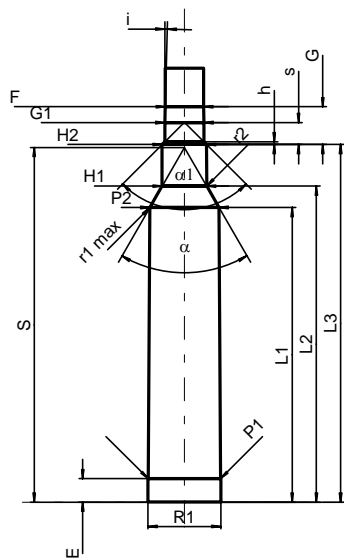
G1 ^{1)*}	=	5.19	
G	=	4.99	
alpha1	=	90°	
h	=	0.35	
s*	=	2.89	
i ^{1)*}	=	1°30'	
w	=		

Canon

F ^{1)*}	=	5.08	
Z ¹⁾	=	5.18	

Rayures

b	=	1.37	
N	=	6	
u	=	305.00	
Q	=	20.68	mm ²



Échelle 1:1

Dimensions en << mm >>
Dimensions et tolérances pour les canons
d'épreuve: Voyez Annexe CR 1.

Notes: 1) A contrôler pour la sécurité
* Dimensions de base