

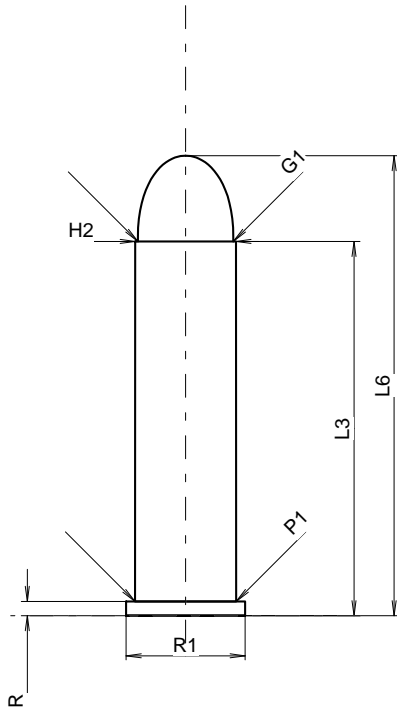
C.I.P.**300/295 Rook Rifle**

TAB. II

Date 84-06-14

Revision 11-05-25

Country of Origin: GB

**CARTRIDGE MAXI****Lengths**

L1	=	
L2	=	
L3 ¹⁾	=	29.97
L4	=	
L5	=	
L6	=	36.83

Case Head

R ¹⁾	=	1.14	-0.25
R1	=	9.52	
R3	=		
E	=		
E1	=		
e min	=		
δ	=		
f	=		
β	=		

Powder Chamber

P1	=	8.10
P2	=	

Junction Cone

α	=	
S	=	
r1 min	=	
r2	=	

Collar

H1	=	
H2 ¹⁾	=	8.08

Projectile

G1 ¹⁾	=	7.65
G2	=	
F	=	
L3+G ¹⁾	=	34.97

Pressures (Energies)**Method Transducer**

Pmax	=	1200 bar
PK	=	1380 bar
PE	=	1500 bar
M	=	17.50
EE	=	375 Joule

Miscellaneous Dimensions

Fe ¹⁾⁴⁾	=	0.15
delta L	=	

CHAMBER MINI**Lengths**

L1	=	
L2	=	
L3 ¹⁾	=	30.23

Breech

R ¹⁾	=	1.17
R1	=	9.65
R2	=	
R3	=	
r	=	

Powder Chamber

E	=	
P1 ¹⁾	=	8.13
P2	=	

Junction Cone

α	=	
S	=	
r1 max	=	
r2	=	

Collar

H1	=	
H2 ¹⁾	=	8.10

Commencement of Rifling

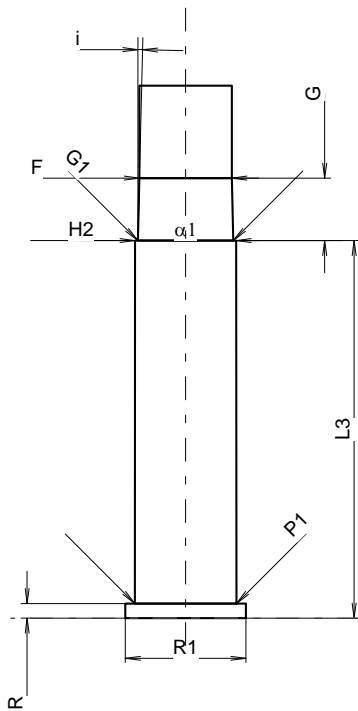
G1 ¹⁾ *	=	7.65
G ¹⁾ *	=	5.00
α1	=	180°
h	=	
s	=	
i ¹⁾	=	1°25'55"
w	=	

Barrel

F ¹⁾ *	=	7.40
Z ¹⁾	=	7.62

Grooves

b	=	
N	=	
u	=	508.00
Q	=	43.01 mm ²



Scale 1.65:1

Dimensions in << mm >>
Dimensions and Tolerances for Proof Barrels
see Appendix CR 1.

Notes: 1) Check for safety reasons
4) Headspace on Rim
* Basic dimensions