

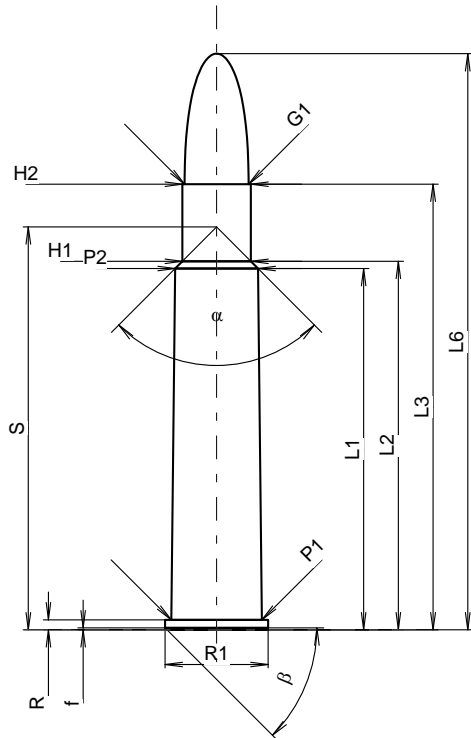
C.I.P.**416 Rigby N°2**

TAB. II

Date 18-05-16

Country of Origin: DE

Revision

**CARTRIDGE MAXI****Lengths**

L1	=	59.73
L2	=	60.92
L3 ¹⁾	=	73.66
L4	=	
L5	=	
L6	=	95.25

Case Head

R ¹⁾	=	1.65	-0.25
R1	=	17.00	
R3	=		
E	=		
E1	=		
e min	=		
delta	=		
f	=	0.30	
beta	=	45°	

Powder Chamber

P1	=	14.99
P2 *	=	13.72

Junction Cone

alpha *	=	89°45'32"
S *	=	66.62
r1 min	=	
r2	=	

Collar

H1 *	=	11.35
H2 ¹⁾	=	11.33

Projectile

G1 ¹⁾	=	10.57
G2	=	
F	=	
L3+G ¹⁾	=	81.28

Pressures (Energies)**Method Transducer**

Pmax	=	3250 bar
PK	=	3738 bar
PE	=	4060 bar
M	=	25.00
EE	=	7270 Joule

Miscellaneous Dimensions

Fe ¹⁾⁴⁾	=	0.15
delta L	=	

CHAMBER MINI**Lengths**

L1	=	59.72
L2	=	60.91
L3 ¹⁾	=	73.96

Breech

R ¹⁾	=	1.67
R1	=	17.20
R2	=	
R3	=	
r	=	

Powder Chamber

E	=	
P1 ¹⁾	=	15.02
P2 *	=	13.74

Junction Cone

alpha *	=	89°30'59"
S *	=	66.65
r1 max	=	
r2	=	

Collar

H1 *	=	11.38
H2 ¹⁾	=	11.35

Commencement of Rifling

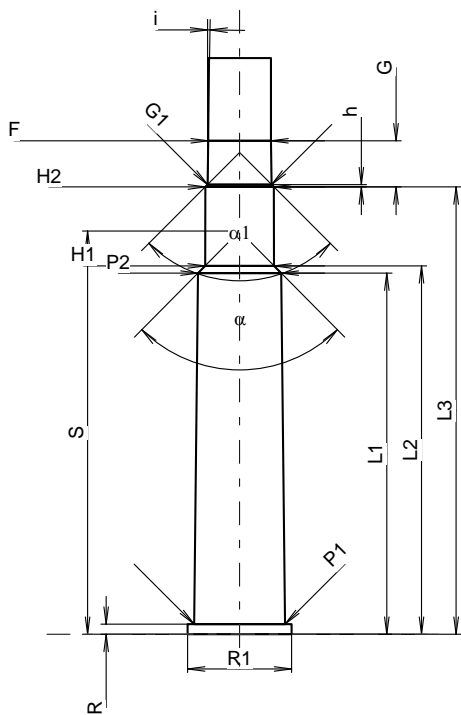
G1 ¹⁾ *	=	10.59
G ¹⁾	=	7.62
alpha 1	=	90°
h *	=	0.38
s	=	
i ¹⁾ *	=	0°54'36"
w	=	

Barrel

F ¹⁾ *	=	10.36
Z ¹⁾	=	10.57

Grooves

b	=	3.60
N	=	6
u	=	420.00
Q	=	86.61 mm ²



Scale 1:1.25

Dimensions in << mm >>
Dimensions and Tolerances for Proof Barrels
see Appendix CR 1.

Notes: 1) Check for safety reasons
4) Headspace on Rim
* Basic dimensions