

C.I.P.**6,5 x 52 R K&S**

TAB.

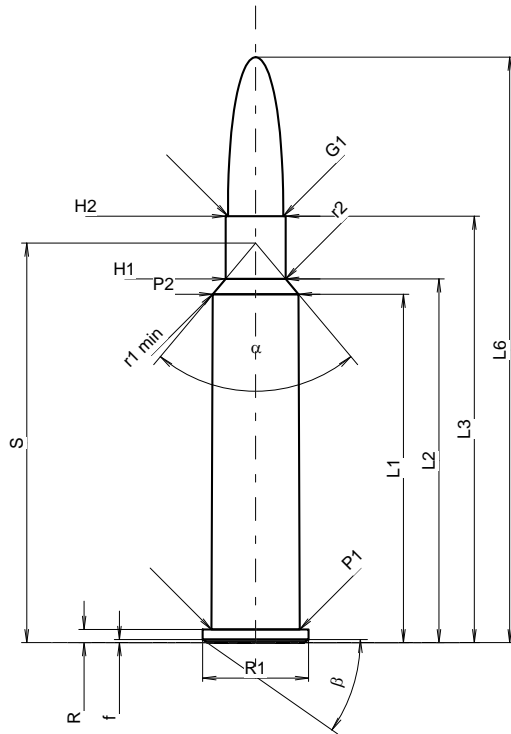
II

Date

12-05-30

Country of Origin: DE

Revision

**CARTRIDGE MAXI****Lengths**

| | | |
|------------------|---|-------|
| L1 | = | 42.32 |
| L2 | = | 44.18 |
| L3 ¹⁾ | = | 51.80 |
| L4 | = | |
| L5 | = | |
| L6 | = | 71.12 |

Case Head

| | | | |
|-----------------|---|-------|-------|
| R ¹⁾ | = | 1.60 | -0.25 |
| R1 | = | 12.85 | |
| R3 | = | | |
| E | = | | |
| E1 | = | | |
| e min | = | | |
| delta | = | | |
| f | = | 0.38 | |
| beta | = | 35° | |

Powder Chamber

| | | |
|------|---|-------|
| P1 | = | 10.72 |
| P2 * | = | 10.42 |

Junction Cone

| | | |
|---------|---|-------|
| alpha * | = | 80° |
| S * | = | 48.53 |
| r1 min | = | 1.00 |
| r2 | = | 1.00 |

Collar

| | | |
|------------------|---|------|
| H1 * | = | 7.30 |
| H2 ¹⁾ | = | 7.30 |

Projectile

| | | |
|--------------------|---|-------|
| G1 ¹⁾ | = | 6.72 |
| G2 | = | |
| F | = | |
| L3+G ¹⁾ | = | 60.15 |

Pressures (Energies)**Method Transducer**

| | | |
|------|---|------------|
| Pmax | = | 3250 bar |
| PK | = | 3738 bar |
| PE | = | 4063 bar |
| M | = | 25.00 |
| EE | = | 2450 Joule |

Miscellaneous Dimensions

| | | |
|--------------------|---|------|
| Fe ¹⁾⁴⁾ | = | 0.15 |
| delta L | = | |

CHAMBER MINI**Lengths**

| | | |
|------------------|---|-------|
| L1 | = | 42.35 |
| L2 | = | 44.20 |
| L3 ¹⁾ | = | 52.10 |

Breech

| | | |
|-----------------|---|-------|
| R ¹⁾ | = | 1.60 |
| R1 | = | 12.90 |
| R2 | = | |
| R3 | = | |
| r | = | |

Powder Chamber

| | | |
|------------------|---|-------|
| E | = | |
| P1 ¹⁾ | = | 10.75 |
| P2 * | = | 10.45 |

Junction Cone

| | | |
|---------|---|-------|
| alpha * | = | 80° |
| S * | = | 48.58 |
| r1 max | = | 1.00 |
| r2 | = | 1.00 |

Collar

| | | |
|------------------|---|------|
| H1 * | = | 7.34 |
| H2 ¹⁾ | = | 7.33 |

Commencement of Rifling

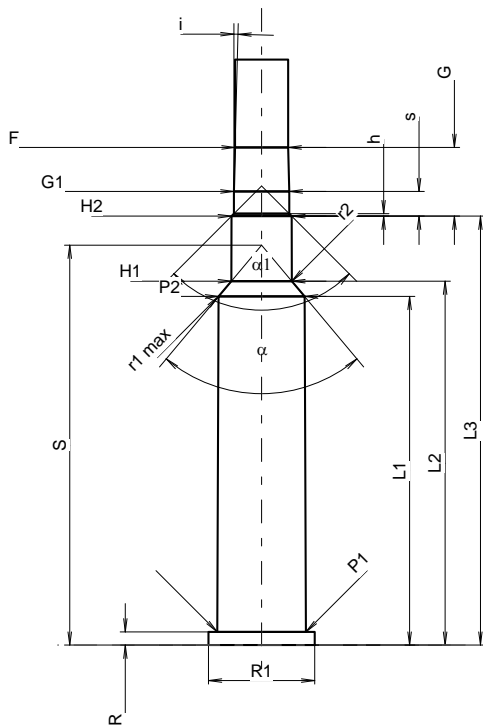
| | | |
|--------------------|---|-------|
| G1 ¹⁾ * | = | 6.73 |
| G ¹⁾ | = | 8.35 |
| alpha l | = | 90° |
| h | = | 0.30 |
| s * | = | 3.00 |
| i ¹⁾ * | = | 1°30' |
| w | = | |

Barrel

| | | |
|-------------------|---|------|
| F ¹⁾ * | = | 6.45 |
| Z ¹⁾ | = | 6.70 |

Grooves

| | | |
|---|---|-----------------------|
| b | = | 3.50 |
| N | = | 4 |
| u | = | 200.00 |
| Q | = | 34.52 mm ² |



Scale 1.09:1

Dimensions in << mm >>
Dimensions and Tolerances for Proof Barrels
see Appendix CR 1.

Notes: 1) Check for safety reasons
4) Headspace on Rim
* Basic dimensions