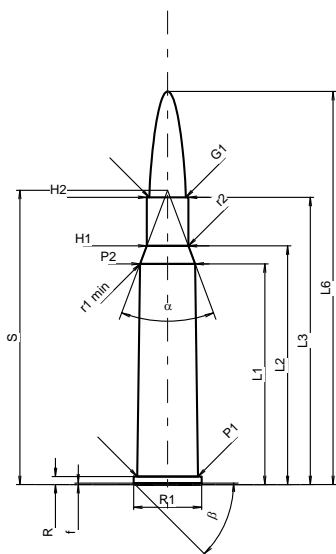


C.I.P.**7 x 57 R****TAB.****II****Date****84-06-14****Revision****15-05-19**

Country of Origin: DE

**CARTRIDGE MAXI****Lengths**

L1	=	43.80
L2	=	47.37
L3 ¹⁾	=	57.00
L4	=	
L5	=	
L6	=	78.00

Case Head

R ¹⁾	=	1.60	-0.25
R1	=	13.50	
R3	=		
E	=		
E1	=		
e min	=		
delta	=		
f	=	0.30	
beta	=	45°	

Powder Chamber

P1	=	12.05
P2 *	=	10.92

Junction Cone

alpha *	=	41°00'24"
S	=	58.40
r1 min	=	0.50
r2	=	0.50

Collar

H1 *	=	8.25
H2 ¹⁾	=	8.25

Projectile

G1 ¹⁾	=	7.25
G2	=	
F	=	
L3+G ¹⁾	=	76.69

Pressures (Energies)**Method Transducer**

Pmax	=	3400 bar
PK	=	3910 bar
PE	=	4250 bar
M	=	25.00
EE	=	3390 Joule

Miscellaneous Dimensions

Fe ¹⁾⁴⁾	=	0.15
delta L	=	

CHAMBER MINI**Lengths**

L1	=	43.80
L2	=	47.37
L3 ¹⁾	=	57.30

Breech

R ¹⁾	=	1.60
R1	=	13.55
R2	=	
R3	=	
r	=	

Powder Chamber

E	=	
P1 ¹⁾	=	12.08
P2 *	=	10.95

Junction Cone

alpha ^{1)*}	=	41°00'25"
S	=	58.44
r1 max	=	0.50
r2	=	0.50

Collar

H1 *	=	8.28
H2 ¹⁾	=	8.27

Commencement of Rifling

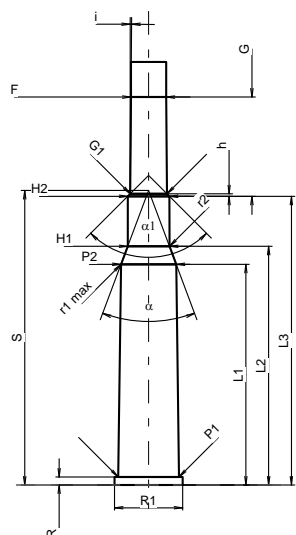
G1 ^{1)*}	=	7.30
G ¹⁾	=	19.69
alpha 1	=	90°
h *	=	0.49
s	=	
i ^{1)*}	=	0°28'38"
w	=	

Barrel

F ^{1)*}	=	6.98
Z ¹⁾	=	7.24

Grooves

b	=	3.70
N	=	4
u *	=	220.00
Q	=	40.29 mm ²



Scale 1:1.5

Dimensions in << mm >>
Dimensions and Tolerances for Proof Barrels
see Appendix CR 1.

Notes: 1) Check for safety reasons
4) Headspace on Rim
* Basic dimensions